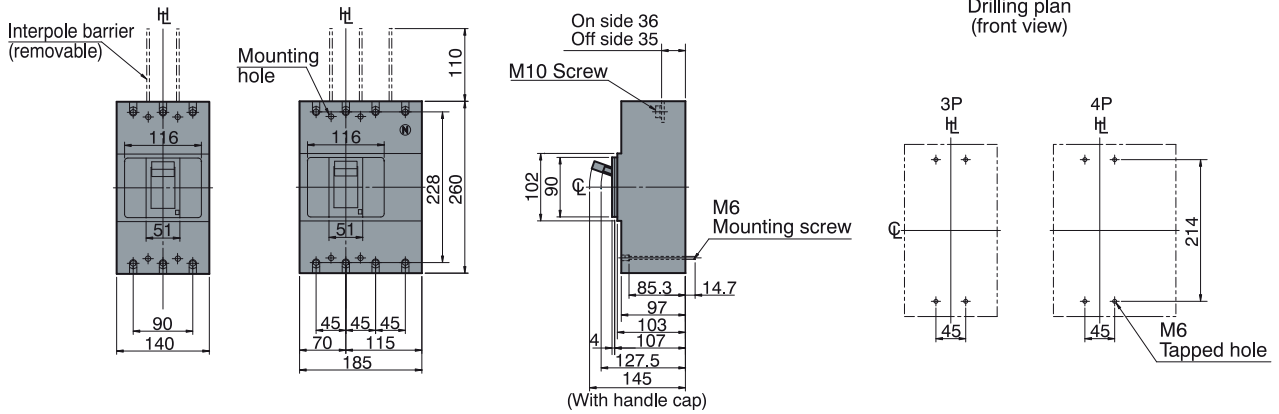


Loadline MCCB YA5 and YA6 3-pole and 4-pole dimensions

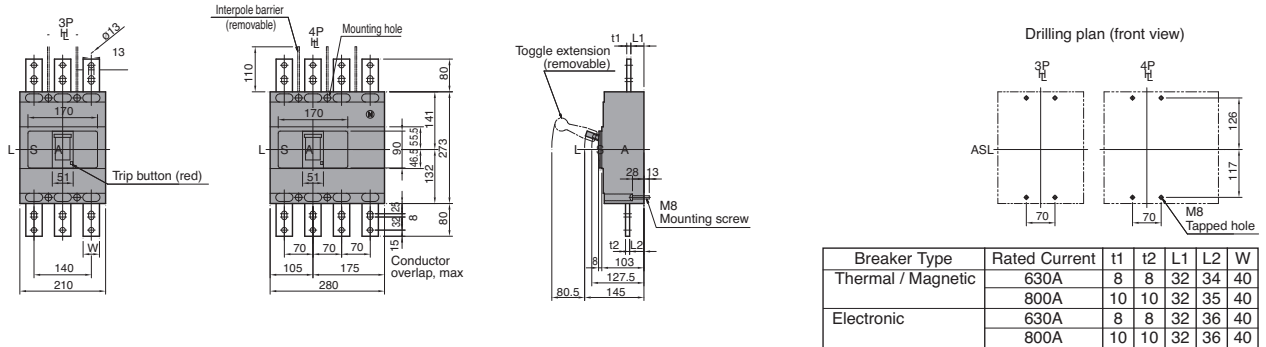
Circuit Protection

Dimensions YA5 3 and 4-pole



Dimensions YA6 3 and 4 pole

Front connected with extension bars (optional)



Breaker Type	Rated Current	t1	t2	L1	L2	W
Thermal / Magnetic	630A	8	8	32	34	40
	800A	10	10	32	35	40
Electronic	630A	8	8	32	36	40
	800A	10	10	32	36	40

Extension terminal bars are supplied as standard with all Dorman Smith enclosures. Handle extension YA6HE is available as an optional accessory for this device.