

# Loadline MCCB

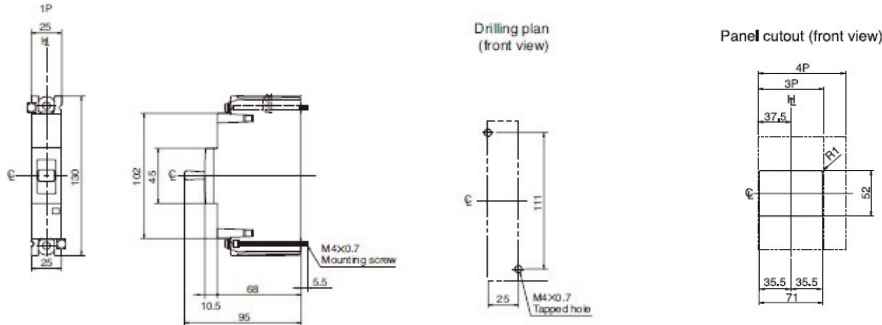
## YB1 1-pole, 3-pole and 4-pole dimensions

Circuit Protection

### Dimensions

#### YB1 1-pole

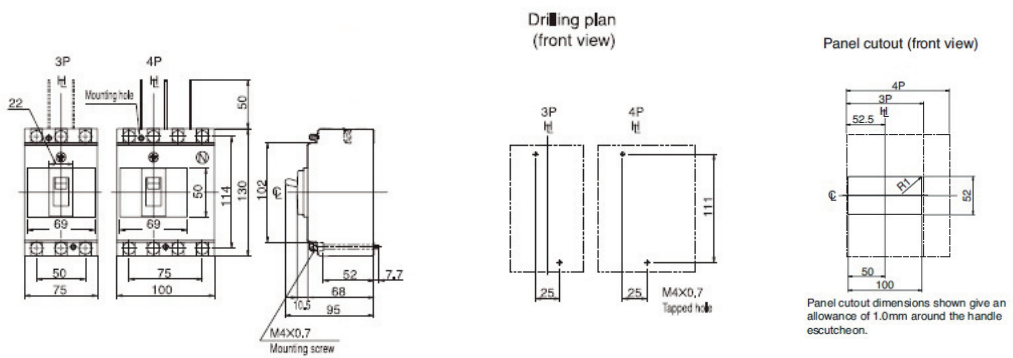
Cable Clamp Connected



### Dimensions

#### YB1 3-pole and 4-pole

Cable Clamp Connected

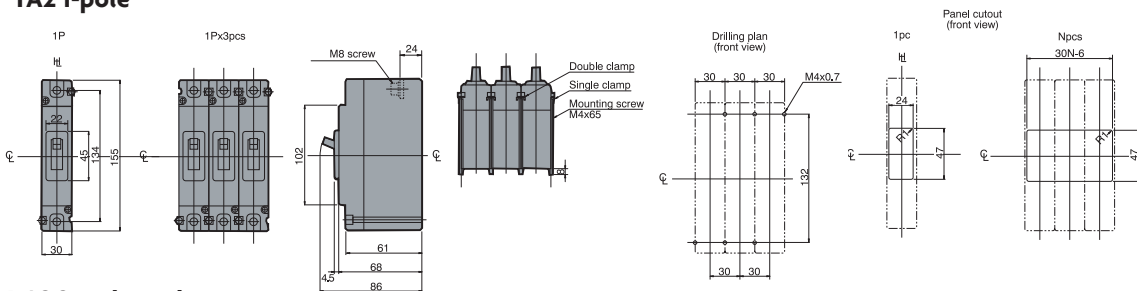


Panel cutout dimensions shown give an allowance of 1.0mm around the handle escutcheon.

## YA2 1-pole, 3-pole and 4-pole dimensions

### Dimensions

#### YA2 1-pole



#### YA2 3 and 4-pole

