

electrium



Fuse Switches
& Isolators



electrium

LAKESIDE
POINT
AD
2005

Electrium Sales Ltd. is a Siemens company,
Wylex is part of Electrium Sales Ltd.

CONTENTS

NH Fuse Switch Combination Units	6
Switch Disconnectors & Isolators	9
Technical Data & Dimensions	12



Certificate Number 18828
ISO 9001, ISO 14001, ISO 45001



2013-RTL-L4-75
2013-RTL-L4-36



Testing Laboratory No. 1460
Testing Laboratory No. 2003

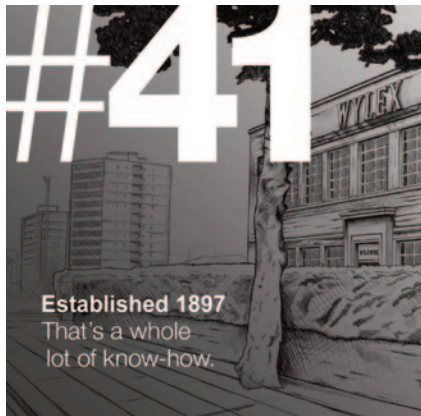
As a leading manufacturer of electrical installation equipment, Wylex is committed to the continual improvement of all quality assurance procedures and performance.



WHY CHOOSE ANYTHING LESS?

GOOD REASONS TO CHOOSE WYLEX

(THERE'S NO END OF THEM)



UK Based development teams design Wylex products and look after every stage of the design and performance validation process.

As part of the Siemens family Wylex benefits from the Siemens global manufacturing network by sourcing circuit protection devices 'in house' meaning you can be sure of the quality and the performance of the commercial circuit protection range of products.



The Wylex test laboratory in Manchester is accredited by the United Kingdom Accreditation Service (UKAS). This ensures everyone from specifiers, purchasers and users can have complete confidence in the standards of goods and in the provision of services at every stage of the supply chain.

With an extensive range of commercial circuit protection products made in the UK, for the UK, finding the right product for your needs from the catalogues should be easy.



The range of fuse switch combination units and enclosed isolators in TP&N or SP&N configurations is complemented by a wider range including;-

Three phase MCB distribution boards and MCCB panelboards and devices for commercial and industrial applications.

Devices, including surge protection devices, contactors, timers, meters and switch disconnectors alongside MCCBs, MCBs, RCBOs and AFDDs complete the range.



WHY CHOOSE ANYTHING LESS?

NH FUSE-COMBINATION UNITS

NH Fuse combination units are designed with features that ensure compliance with EN60947 while also providing an economical and high quality range of industrial switchgear products.

With ratings from 20A to 800A and a choice of single pole or three pole configurations, NH fuse combination units have a utilisation category of AC23A, and fused short circuit capacity of 80kA.

- Robust steel enclosures with cable glanding plate supplied top and bottom
- Removable door opens through 180° for ease of access
- Easy access fuse link fixings
- Neutral fully rated
- Fully shrouded terminals
- Handle padlocking facility locks switch & door in off position
- Large cable terminal capacity
- Ingress protection to IP4X
- Positive indication of On and Off





NHSPSF32

NH FUSE COMBINATION UNIT 20A-32A

Amperage	Modules	Type	Supplied with Fuses	List No
20A	4	SPN	YES	NHSPSF20
20A	4	TPN	YES	NHTPSF20
32A	4	SPN	YES	NHSPSF32
32A	4	TPN	YES	NHTPSF32

Fuse Combination Units Technical Specification
 EN 60947-3
 IEC 947-3
 80kA RMS Fused Short Circuit Capacity
 415V ac Rated Voltage
 Full Uninterrupted Duty
 AC23A Utilisation Category



NHTPSF63

NH FUSE COMBINATION UNIT 63A-125A

Amperage	Modules	Type	Supplied with Fuses	List No
63A	5	SPN	YES	NHSPSF63
63A	5	TPN	YES	NHTPSF63
100A	5	SPN	YES	NHSPSF100
100A	5	TPN	YES	NHTPSF100
125A	6	TPN	YES	NHTPSF125

ACCESSORIES

Description	List No
63A Copper Isolator links	NHCIL2
100A to 200A Copper Isolator links	NHCIL3
63A to 100A Cable Spreader Box	NHCSB2
125A Cable Spreader Box	NHCSB3

For fuse types see page 12

Cable spreading room is allowed for at one end only. To fit a 4 core cable at both ends an additional cable spreader box will be required.



NHTPSF160

NH FUSE COMBINATION UNIT 160A-800A

Amperage	Modules	Type	Supplied with Fuses	List No
160A	6	TPN	NO	NHTPSF160
200A	6	TPN	NO	NHTPSF200
315A	8	TPN	NO	NHTPSF315
400A	8	TPN	NO	NHTPSF400
630A	12	TPN	NO	NHTPSF630
800A	12	TPN	NO	NHTPSF800

ACCESSORIES

Description		List No
100A to 200A	Copper Isolator links	NHCIL3
125A to 200A	Cable Spreader Box	NHCSB3
315A & 400A	Copper Isolator links	NHCIL4
315A & 400A	Cable Spreader Box	NHCSB4
630A & 800A	Copper Isolator links	NHCIL5
630A & 800A	Cable Spreader Box	NHCSB5

For fuse types see page 12



NHSFBBC400

BUS BAR CHAMBER

Amperage	Modules	Type	List No
400A	16	TPN	NHSFBBC400

ACCESSORY

Description		List No
250A	Busbar Terminal	NHSFBTM250

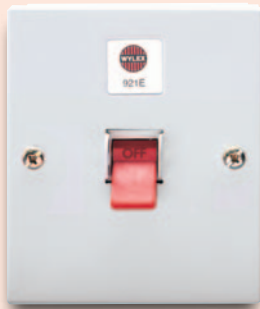
SWITCH DISCONNECTORS & ISOLATORS

Wylex provide a range of isolators designed for applications where local isolation is required. The modular WS range of switches can be independently configured to provide a variety of live and neutral arrangements up to 4 poles.

In addition Wylex offer a range of enclosed switch disconnector isolators suitable for commercial and industrial applications up to 125A.

Rotary isolators can be locked in the off position and have facility for up to 3 padlocking devices for added safety and security.





921E

TRIPLE POLE & NEUTRAL 415V, 50HZ AC

Description	Current Rating	List No
With switched neutral, surface mounting in a metal enclosure	32A	921E



NHSW363X

NH ISOLATOR SWITCHES STEEL ENCLOSURE

Rating	Box Size	TP&N/SP&N
20A	1	NHSW320
32A	1	NHSW332
40A	1	NHSW340
63A	1	NHSW363
63A	2	NHSW363X
100A	2	NHSW3100
125A	2	NHSW3125



WS102



WS104

WS RANGE OF MODULAR ISOLATORS

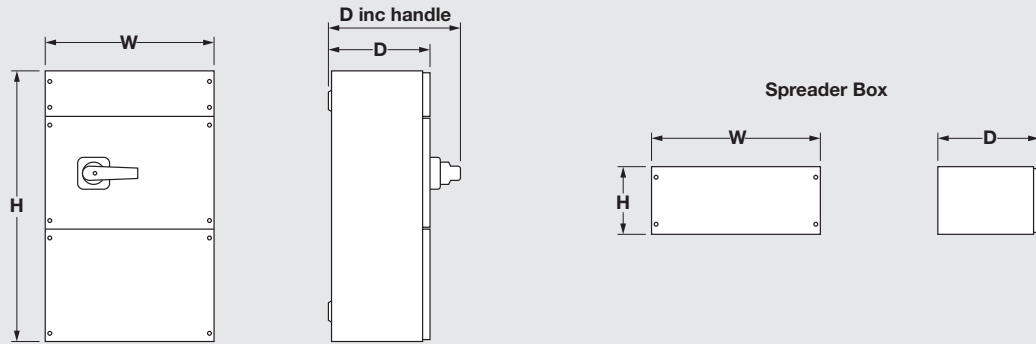
Description	Current Rating	List No
1 Pole, 1 module	63A	WS601
1 Pole, 1 module	100A	WS101
1 Pole, 1 module	125A	WS121
2 Pole, 2 module	63A	WS602
2 Pole, 2 module	100A	WS102
2 Pole, 2 module	125A	WS122

WS RANGE OF MODULAR ISOLATORS

Description	Current Rating	List No
3 Pole, 3 module	63A	WS603
3 Pole, 3 module	100A	WS103
3 Pole, 3 module	125A	WS123
4 Pole, 4 module	63A	WS604
4 Pole, 4 module	100A	WS104
4 Pole, 4 module	125A	WS124

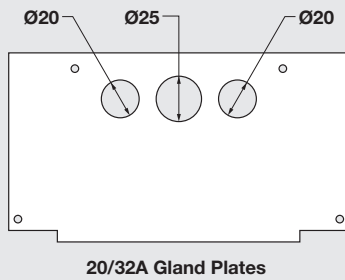


DIMENSION DETAILS

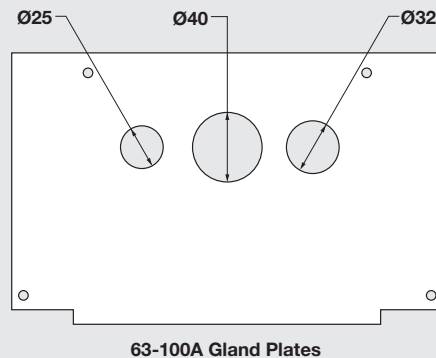


HOUSED UNIT DIMENSIONS (mm)

HOUSED UNIT	H	W	D	D inc. handle		H	W	D
20-32A	220	210	135	200				
63-100A	420	262	188	258	SPREADER BOX	105	262	183
125-200A	525	315	240	273	SPREADER BOX	105	315	210
315-400A	735	420	240	305	SPREADER BOX	210	420	240
630-800A	850	620	293	355	SPREADER BOX	210	620	262



All Dimensions in mm



SPECIFICATION

- BSEN947-3
- Range of ratings 20A-400A
- Pole configurations SP & N, and TP & N
- Voltage rating 415V ac
- Frequency rating 50/60 Hz
- Fuse type BS88

TECHNICAL DATA

	20-32A	63A	100A	125A	160A	200A	315A	400A	630	800
Mechanical Endurance	10,000	10,000	10,000	10,000	10,000	10,000	10,000	10,000	8,000	8,000
Fused s/c Current kA RMS	80	80	80	80	80	80	80	80	80	80
Ratings	A kW	A kW	A kW	A kW	A kW	A kW	A kW	A kW	A kW	A kW
415V Ie/pe	32 15	63 30	100 55	125 75	160 90	200 110	315 160	400 220	630 353	800 450
Isolator links	-	NHCIL2	NHCIL3	NHCIL3	NHCIL3	NHCIL3	NHCIL4	NHCIL4	NHCIL5	NHCIL5

FUSE COMPARISON DATA

CURRENT RATING	BS 88 REFERENCE	LAWSON	GEC	BUSSMAN
20/32A	A1	NIT	NIT	NITD
63A	A3, A2	TIS	TIS	BAO
100A	A4	TCP	TCP	CEO
125A	A4	CTFP	TCP	DEO
160A	A4	CTFP	TCP	DEO
200A	A4	CTFP	TCP	DEO
315A	B3	TKF	TKF	ED
400A	B4, B3, B2,B1	TFM	TFM	ED
630A	C1, C2	TTM, TM	TTM, TM	FF, EF
800A	C1, C2, C3	TLM, TTM, TM	TLM, TTM, TM	GF, FF, EF



TECHNICAL INFORMATION

Sheet Steel Enclosure

RATING IN AMPS	20A	32A	40A	63A	63A*	100A	125A
Rated Insulation Voltage Ui (V)	800	800	800	800	800	800	800
Dielectric Strength (kV) 50 Hz 1min	3	3	3	3	3	3	3
Shock Resistance Uimp (kV)	8	8	8	8	8	8	8
OPERATIONAL CURRENT IE (A)							
415 V AC - AC21A / AC21B	20	32	40	63	80	100	125
AC22A / AC22B	20	32	40	63	80	100	125
AC23A / AC23B	20	32	40	63	80	80	80
500 V AC - AC21A / AC21B	20	32	40	63	80	100	125
AC22A / AC22B	20	32	40	63	80	100	125
AC23A / AC23B	20	32	40	40	63	63	63
690 V AC - AC20A / AC20B	20	32	40	63	80	100	125
AC21A / AC21B	20	32	40	63	80	100	125
AC22A / AC22B	20	32	40	63	80	100	100
AC23A / AC23B	20	25	25	25	50	50	50
MOTOR POWER (KW) AC 23							
415 V AC	7.5	11	11	15	18.5	37	40
500 V AC	7.5	11	15	18.5	22	37	37
690 V AC	11	11	18.5	18.5	25	30	30
FUSE TYPES TO BS88							
OVERLOAD CAPACITY							
Fuse rating gG	20	32	40	63/40	63	100	125
Short circuit current with fuses (kA Rms)	50	50	50	20/50	50	20	15
Asymmetric short time rating current (kA peak)	6	6	6	9	9	9	9
Admissible short timecurrent 1 s. (kA Rms)	1.26	1.26	1.26	1.5	1.5	1.5	1.5
MAKING & BREAKING CHARACTERISTICS							
Breaking capacity (A Rms) 415 V AC 23 A	160	256	320	504	504	640	640
Making capacity (A Rms) 415 V AC 23 A	200	320	400	630	630	800	800
WITHSTAND							
Mechanical (number of operations) x 1000	100	100	100	100	30	30	30
Electrical (number of operations at 415V AC 23A) x 1000	3	3	3	3	1.5	1.5	1.5
CONNECTION							
Maximum Cu cable section (mm ²) lth	16	16	16	25	50	50	50
WEIGHT (KG)							
3 pole	2.00	2.00	2.00	2.00	2.50	2.50	2.50
4 pole	2.00	2.00	2.00	2.00	2.50	2.50	2.50

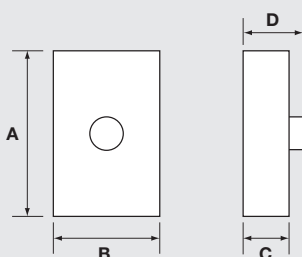
TERMINAL SIZES AND CAPACITIES

Size	Phase Width	Terminal Width	Terminal Hole Size
20A - 32A	21.5mm	6.5mm	Box Terminals Max 16mm ²
63A	32.0mm	7.0mm	Box terminals Max 25mm ²
100A - 125A	36.0mm	22.0mm	M8
160A - 200A	36.0mm	22.0mm	M8
250A	60.0mm	32.0mm	M10
315A - 400A	66.0mm	50.0mm	M10
630A	80.0mm	50.0mm	M12
800A	80.0mm	50.0mm	4 x M8 or 1 x M14

FUSE AND TERMINAL TORQUE VALUES

Thread Size	Torque Value
M4	1.35Nm
M5	5.5Nm
M6	9.5Nm
M8	17Nm
M10	28Nm
M12	45Nm

DIMENSIONS



CAT REF	BOX SIZE	HEIGHT (A)	WIDTH (B)	DEPTH (C)	TOTAL DEPTH (D)
NHSW320	1	220mm	158mm	136mm	172.5mm
NHSW332	1	220mm	158mm	136mm	172.5mm
NHSW340	1	220mm	158mm	136mm	172.5mm
NHSW363	1	220mm	158mm	136mm	172.5mm
NHSW363X	2	325mm	158mm	136mm	172.5mm
NHSW3100	2	325mm	158mm	136mm	172.5mm
NHSW3125	2	325mm	158mm	136mm	172.5mm

electrium

ELECTRIUM SALES LIMITED A SIEMENS COMPANY

Commercial Centre, Lakeside Plaza,
Walkmill Lane, Bridgtown,
Cannock WS11 0XE.
eMail: info@electrium.co.uk

www.electrium.co.uk

UK SALES

Telephone: 01543 455020
eMail: wylex.sales@electrium.co.uk

TECHNICAL

Telephone: 01543 438320
eMail: wylex.technical@electrium.co.uk

EXPORT SALES

Telephone: +44 1543 455049
eMail: export@electrium.co.uk

DUBAI OFFICE

Telephone: +971 4 3660684
eMail: export@electrium.co.uk



[@ElectriumNews](https://twitter.com/ElectriumNews) or download the APP

Although every effort has been made to ensure accuracy in the compilation of the technical detail within this publication, specifications and performance data are constantly changing. Latest details can be obtained from Wylex.

Publication No. WY2626a 10/22

