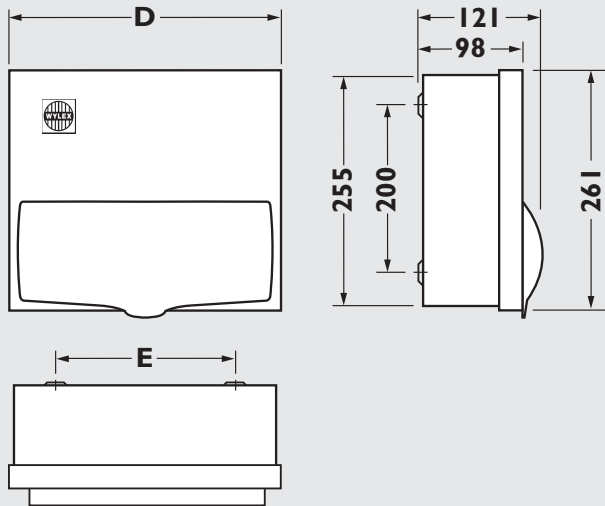




# NM Metal Consumer Units



DIMENSIONS 185(H) 130(W) 104(D)

**4 MODULE**

NM206/40	NMRS206/40	NMB16MPV
NM206/63A	NMRS206/63A	NMRCBO16BPV
NMRS206/63GWUA		NMB16PV

DIMENSIONS D=188mm(7.4"), E=138mm(4.2")

**7 MODULE**

NM506L	NMRS506LA	NMRCBO16BMPV
NM7ED6	NMRM506L	NM306FLEXS
	NM506FLEX	

DIMENSIONS D=241mm(9.5"), E=160mm(6.3")

**10 MODULE**

NMRM806LA	NMRS4206L	NMTM806L
NM10ED6	NMRS6SLMA	NM806FLEX
NMRS2406L	NM806L	NMIIX3306L
NMRS3306L	NMRS806LA	NM606FLEXS
	NMIIX2406L	

DIMENSIONS D=292mm(11.5"), E=210mm(8.3")

**13 MODULE**

NMRM1106L	NMRS9SLMA	NMTM1106L	NM906FLEXS
NM1106L	NMRS1106LA	NMRS23206LA	NMRS5SSLMHIS
NMRS4506L	NMRS5406L	NMRS7SSLMHIA	NMISS3406LA
NMRS5406L	NM13ED6	NM1106FLEX	
	NMRS6306L	NM11X5406L	
		NM11X4506L	

DIMENSIONS D=343mm(13.5"), E=260.4mm(10.2")

**16 MODULE**

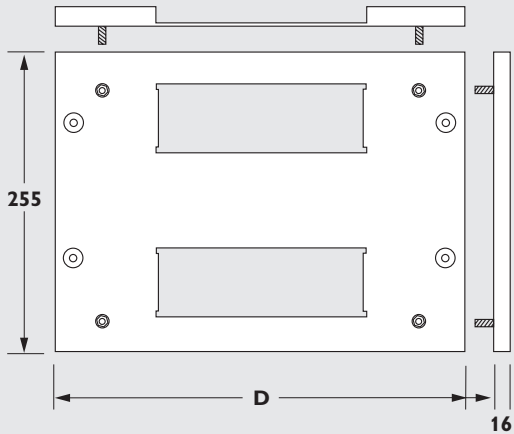
NM1406L	NMRS3906L	NMRS44206LA	NM1206FLEXS
NMRS4806L	NMTM1406L	NMRS43306L	NMRS6606LA
NMRS1406LA	NMRS12SLMA	NMRS33406LA	NMRS12SL100
NM16ED6	NMISS5506LA	NMRS10SSLMHIA	NMRS8SSLMHISA
NMRM1406L	NMRSX5706L	NM1406FLEX	NMRS10HI100
NMIIX3906L	NMRSX6606L	NM9DSRCBMPVF	NMISS10SL100
NMIIX4806L	NMRSX7506L	NM8DSMPVSL	
NMIIX7506L	NMRS10SLMDT	NM7DSRCBMPVSL	
NMIIX6606L	NM10DSMPVF	NM6DSMPVDR	
NMIIX5706L	NMISS10SLMA	NM5DSRCBMPVDR	

DIMENSIONS D=438mm(17.2"), E=356mm(10.1")

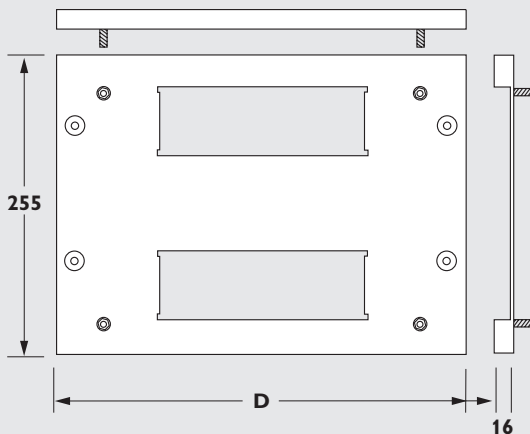
**21 MODULE**

NM1906L	NMRS1906L	NMISS15SLMA	NM1706FLEXS
NMRS61106L	NMRS8906L	NMRS76206LA	NMRS17SL100
NMRS9806L	NMTM1906L	NMRS66306LA	NMRS13SSLMHISA
NMRS17SLMA	NMIIX51206L	NMRS46506LA	NMRS15HI100
NM21ED6	NMIIX11606L	NMRS55506L	NMISS15SL100
NM1906FLEX	NMISS8706L	NMRS45606LA	
NMIIX9806L	NM15DSMPVF	NMRS15SSLMHIA	
NMIIX8906L	NM14DSRCBMPVF	NM11DSRCBPVHI	
NMRSX8906L	NM11DSMPVHI	NM13DSMPVSL	
NMRSX9806L	NM10DSRCBMPVHI	NM12DSRCBMPVSL	
NMRS15SLMDT	NM12DSPVHI	NM11DSMPVDR	
		NM10DSRCBMPVDR	

TOP/BOTTOM CABLE ENTRY PATTRSS



LEFT/RIGHT CABLE ENTRY PATTRSS



**CABLE ENTRY PATTRSS**

CONSUMER UNIT	ENCLOSURE SIZE (D)	TOP/BOTTOM CABLE ENTRY	LEFT/RIGHT CABLE ENTRY
7 Module	188mm	MNSPE6462/BNR	MNSPE6668/7NR
10 Module	241mm	MNSPE6462/CNR	MNSPE6668/10NR
13 Module	282mm	MNSPE6462/DNR	MNSPE6668/13NR
16 Module	343mm	MNSPE6462/ENR	MNSPE6668/16NR
21 Module	438mm	MNSPE6462/FNR	MNSPE6668/21NR