

Accessories

Reference	Description
EZ963R30KIT2 *	1x 63A 30mA Split load kit supplied with cables
EZ9100R30KIT2 *	1x 100A 30mA Split load kit supplied with cables
EZ916BKIT	Spare 16 way busbar
EZ9ECLMP	Incoming Cable clamp
SEDNBP3	Blank module 3pole
EZ9EBP	Din rail mounted blank pole
EZ9ESP	Label pack
EZ9LKCLIP	EZ9 / R9 Door lock clip
EZ9ELKBAR	EZ9 / R9 universal locking bar
SELA	MCB lock clip

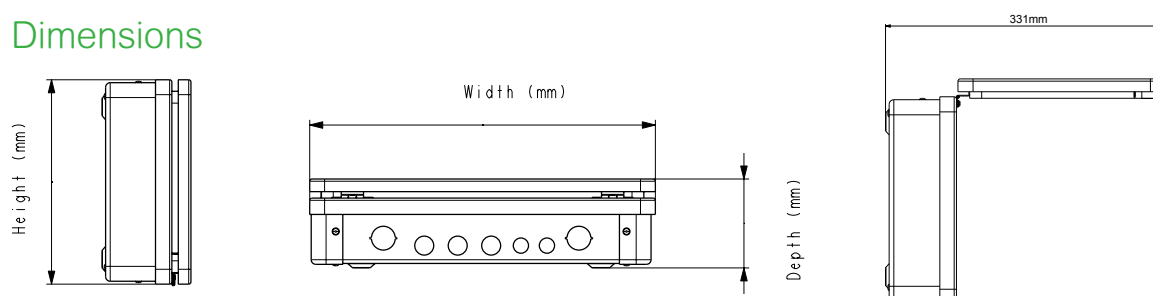
* Can only be used on 8way/12way/16way consumer unit.

Technical

Dimensions

Ref No	Type	Usable ways	Height (mm)	Width (mm)	Depth (mm)
EZ9E2MCU	Standard	2	277	213	120
EZ9E4MCU	Standard	4	277	249	120
EZ9E6MCU	Standard	6	277	285	120
EZ9E8MCU	Standard	8	277	321	120
EZ9E12MCU	Standard	12	277	393	120
EZ9E16MCU	Standard	16	277	465	120
EZ9E20MCU	Standard	20	277	537	120
EZ9EFS12CMCU	Flexible split	12	277	465	120
EZ9EFS16CMCU	Flexible split	16	277	537	120
EZ9ER4R4MCU	Split	8	277	393	120
EZ9ER6R6MCU	Split	12	277	465	120
EZ9ER6R6CMCU	Split	12	277	465	120
EZ9ER8R8CMCU	Split	16	277	537	120
EZ9ES2R5R5CMCU	Multiple	12	277	465	120
EZ9ES2R7R7CMCU	Multiple	16	277	537	120
EZ9ER4R4MRE	Split	8	277	393	120
EZ9ER6R6MRE	Split	12	277	465	120
EZ9ES2R5R5CMRE	Multiple	12	277	465	120
EZ9EGARAGE63	Garage	2	277	213	120
EZ9ESHOWER63	Shower	2	277	213	120
EZ9EPVR6R6CMCU	PV	12	277	537	120
EZ9ESLR7R6CMCU	SPD	13	277	537	120
EZ9ESL3R5R5CMCU	SPD	13	277	537	120

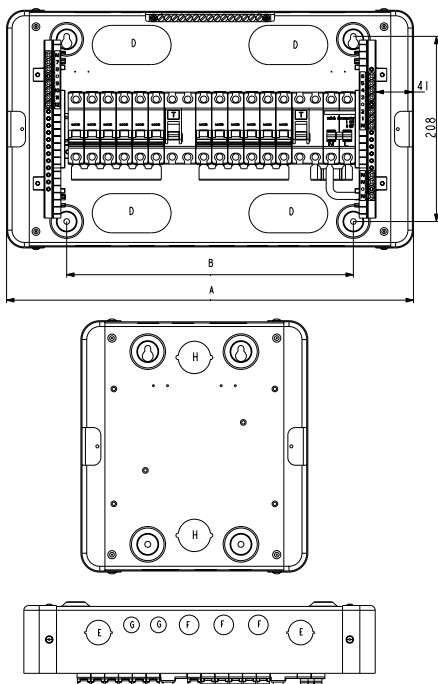
Dimensions



Dimensions / knockouts

Ref No	Dimensions (mm)		44x86mm	Dia. 32mm	Dia. 25mm	Dia. 20mm	Dia. 32mm (rear)
	A	B	D	E	F	G	H
EZ9E2MCU	205	75	-	1	-	1	2
EZ9E4MCU	241	111	-	1	-	2	2
EZ9E6MCU	277	139	2	1	2	1	-
EZ9E8MCU	313	171	2	1	2	2	-
EZ9E12MCU	385	250	4	2	3	-	-
EZ9E16MCU	457	322	4	2	3	2	-
EZ9E20MCU	529	394	6	2	3	2	-
EZ9EFS12CMCU	457	322	4	2	3	2	-
EZ9EFS16CMCU	529	394	6	2	3	2	-
EZ9ER4R4MCU	385	250	4	2	3	-	-
EZ9ER6R6MCU	457	322	4	2	3	2	-
EZ9ER6R6CMCU	457	322	4	2	3	2	-
EZ9ER8R8CMCU	529	394	6	2	3	2	-
EZ9ES2R5R5CMCU	457	322	4	2	3	2	-
EZ9ES2R7R7CMCU	529	394	6	2	3	2	-
EZ9ER4R4MRE	385	250	4	2	3	-	-
EZ9ER6R6MRE	457	322	4	2	3	2	-
EZ9ES2R5R5CMRE	457	322	4	2	3	2	-
EZ9EGARAGE63	205	75	-	1	-	1	2
EZ9ESHOWER63	205	75	-	-	-	-	-
EZ9EPVR6R6CMCU	529	394	6	-	-	-	-
EZ9ESLR7R6CMCU	529	394	6	-	-	-	-
EZ9ESL3R5R5CMCU	529	394	6	-	-	-	-

Dimensions (mm)



Semi-Flush mount frame

Ref No	Description	External Dimensions (mm)		Internal cut out Dimensions (mm)	
		A	B	C	D
EZ9EFLKIT12	EZ9 SEMI-FLUSH MOUNT 12	319	437	273	391
EZ9EFLKIT16	EZ9 SEMI-FLUSH MOUNT 16	319	509	273	463
EZ9EFLKIT20	EZ9 SEMI-FLUSH MOUNT 20	319	581	273	535

