



Short form catalogue

Industrial accessories Industrial plugs & sockets

Industrial accessories

Industrial plugs & sockets

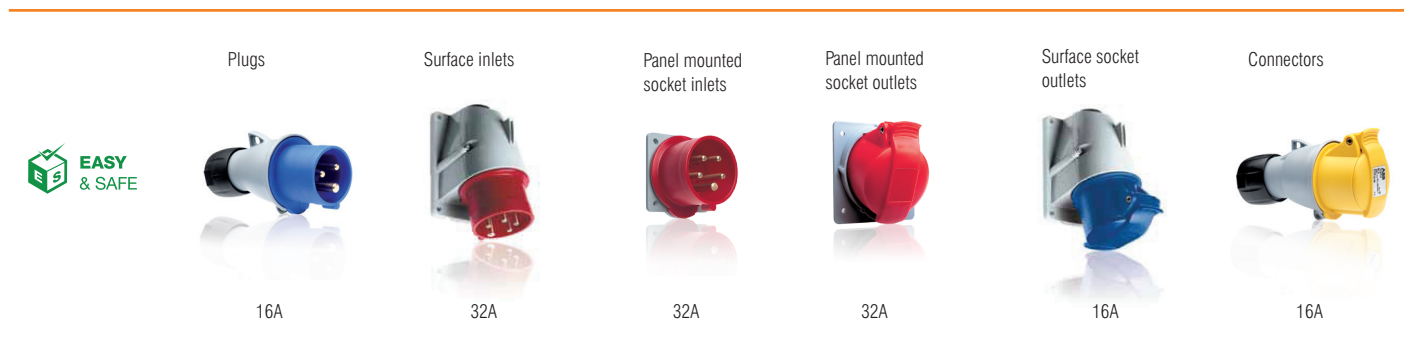


Contents

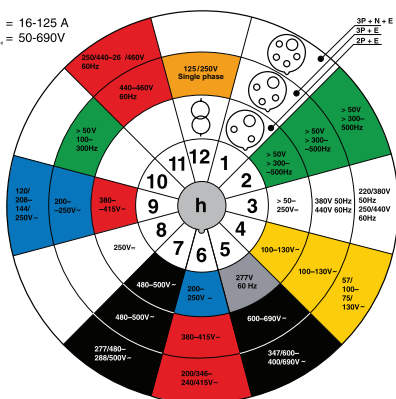
| | |
|--|----|
| Overview | 4 |
| Easy & Safe | 5 |
| Tough & Safe | 6 |
| Critical & Safe | 7 |
| Plugs | 8 |
| Connectors | 11 |
| Sockets | 14 |
| Inlets | 17 |
| Panel mounted sockets | 20 |
| Switched interlocked sockets | 22 |
| Switched interlocked sockets with protection | 25 |
| Plugs & sockets for entertainment | 26 |

Industrial Plugs & Sockets Overview

Industrial plugs and sockets are often small details in electrical installations – small details that can boost productivity, process reliability and ultimately safety. By choosing ABB's industrial plugs and sockets, this difference could not be any clearer. They are the most user-friendly and economical insurance to your equipment there is. They benefit you in the background, letting you concentrate on the real work. Just like it should be.



$I_n = 16-125\text{ A}$
 $U_n = 50-690\text{ V}$



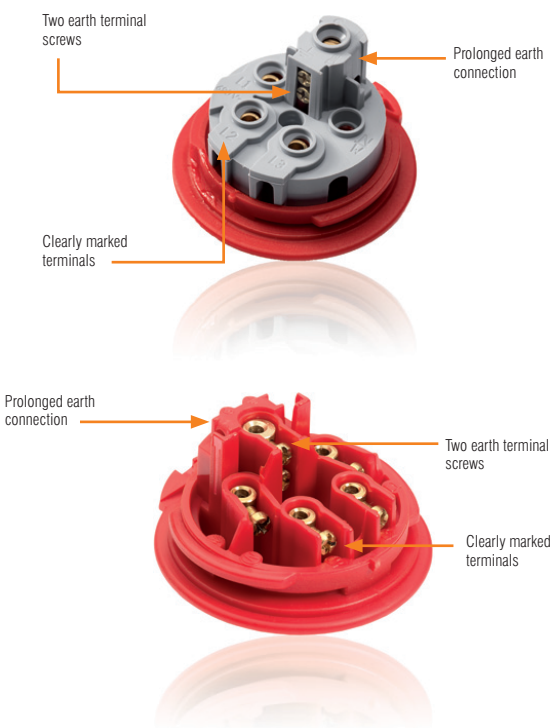
The easiest solution to making even the most complex installation

Without compromising quality, the Easy & Safe range is our basic offering. For temporary power outtake to permanent installation, the tough and safe range is up and running in no time.

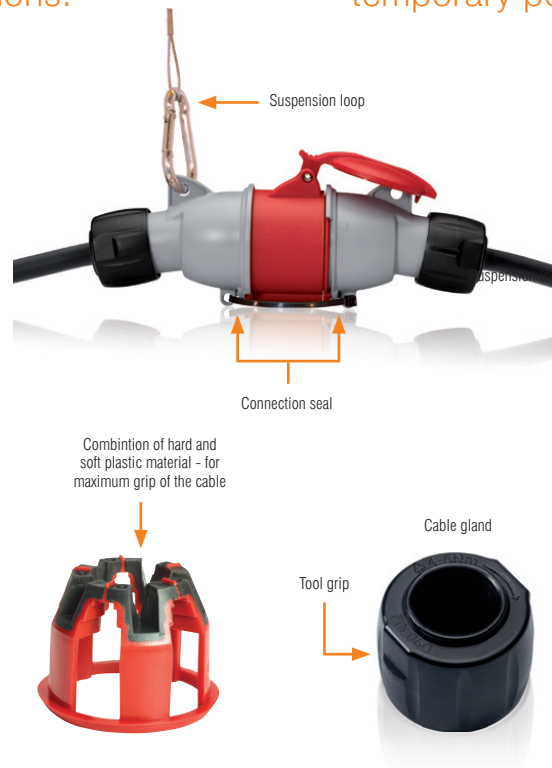
Features

- IP44 Splash proof
- 16 - 32 A, 50 - 690 VAC
- PA6 plastic material
- IEC 60 309-1, -2
- Ergonomic design

Non-decaying plastic increases plug and socket lifetime



Ergonomic design simplifies handling and allows for more frequent connections.



Connection seals ensures there are no interruptions to your temporary power feed.

Keeping the mall clean

A key factor in making a one-time visitor at the mall a returning visitor is making a good impression by keeping the mall clean. Big vacuumers, floor cleaning machines and other equipment need reliable temporary power supply. ABB's Easy & Safe range is quick and easy to connect and offers increased reliability during operation. It even protects the equipment in events of a splash from the nearby in-mall fountain.



Industrial plugs & sockets

Tough & Safe



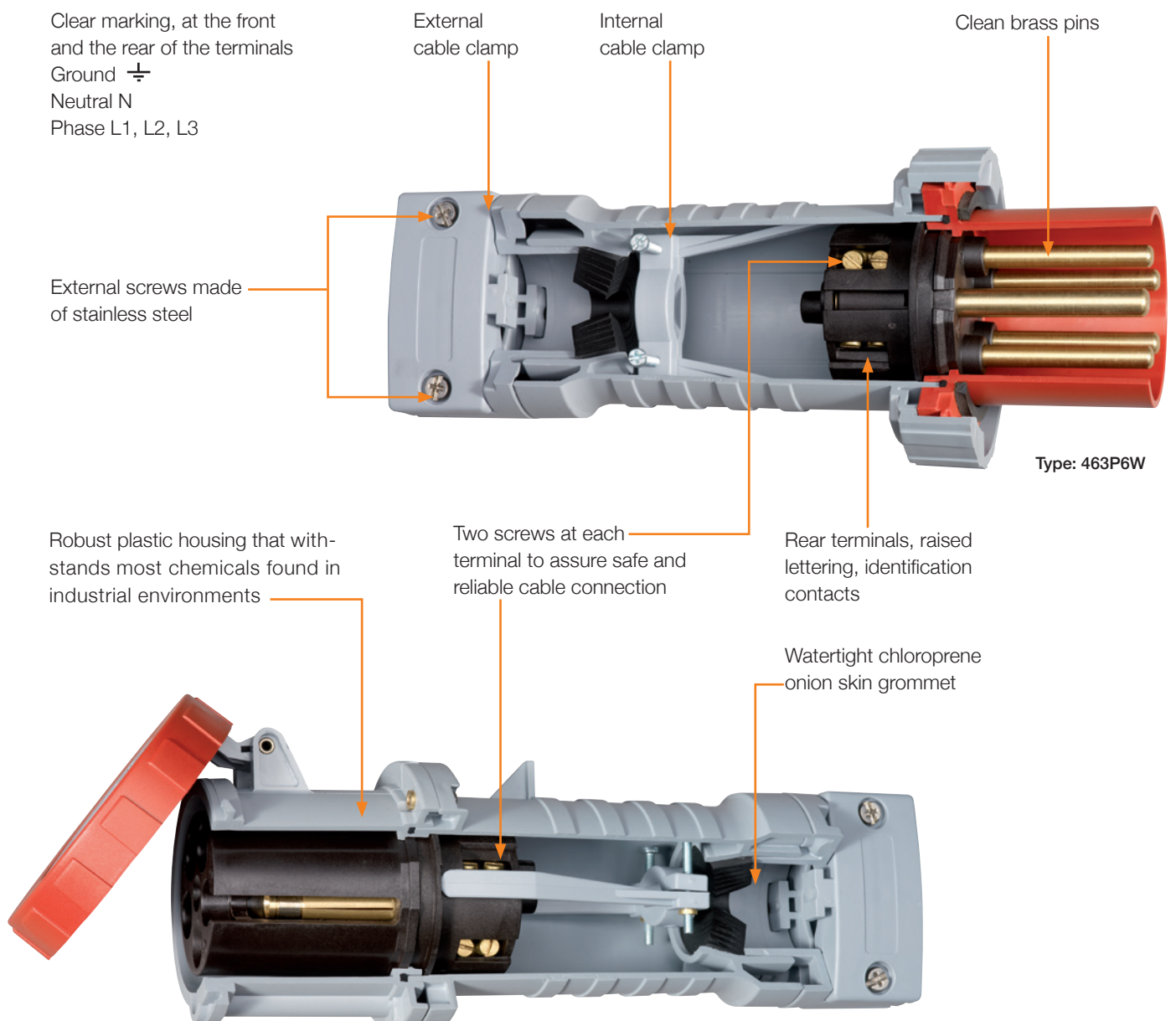
Tough & Safe is the range for applications in environments that have high demand of functionality and safety. The robust housing is made of PBT plastic. The range Tough & Safe is available as watertight (IP67, 16 - 125A) and splash proof (IP44, 63A). The devices are equipped with internal and external cable clamps. The 125A devices are equipped with two screws on each terminal.

Features

- IP67 Watertight or IP44 Splash proof
- 16 - 125 A, 50 - 690 VAC
- IEC 60 309-1, -2
- All external screws are made of stainless steel.

Application examples

- Industry / workshops
- Harbours / shipyards
- Mines
- Food & beverage



Industrial plugs & sockets

Critical & Safe



Critical & Safe is the range for applications with high demands on safety, durability and performance. Perfect for applications with frequent connection / disconnection, and to use in public areas.

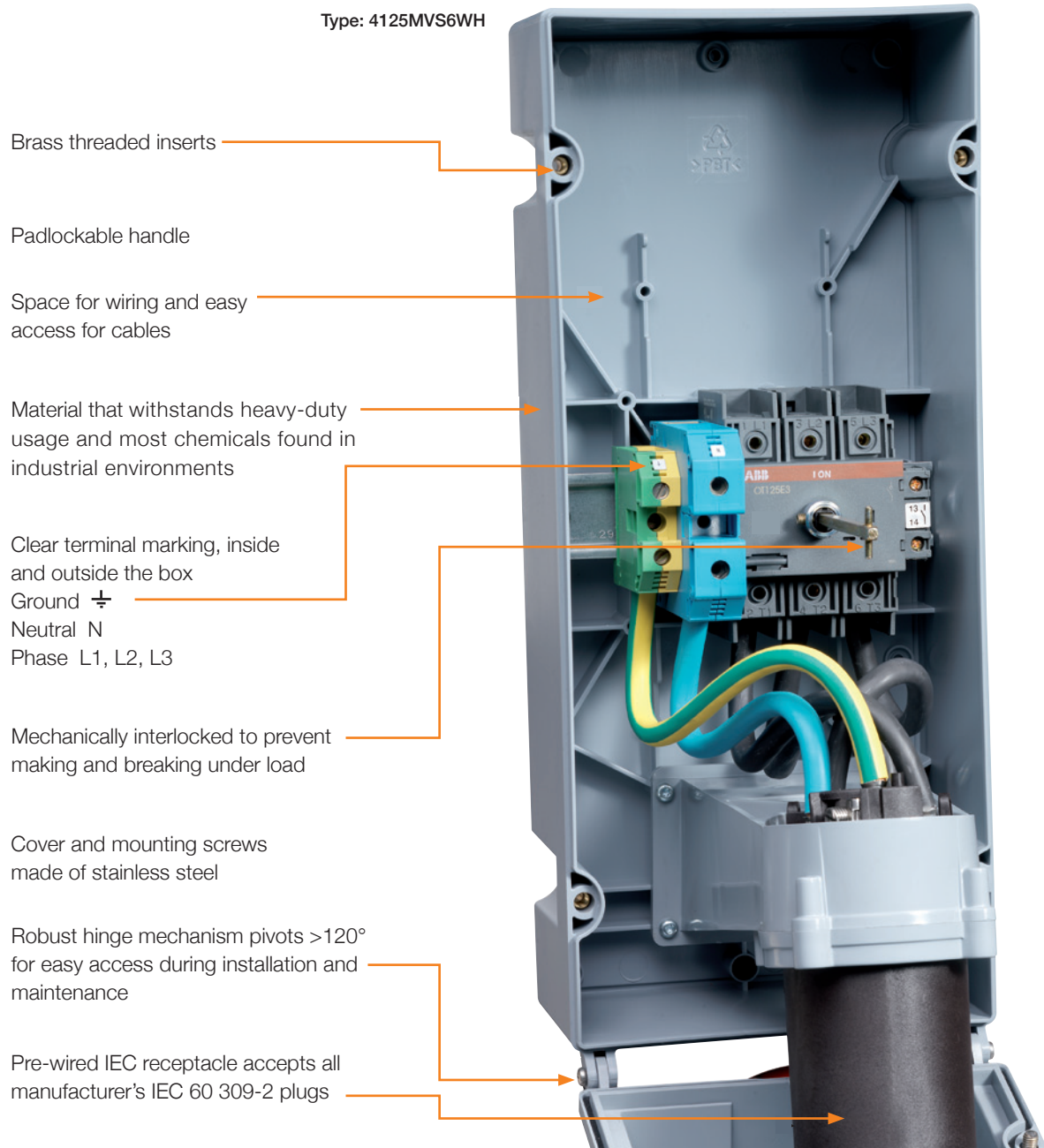
The housing is made of PBT or aluminum. PBT is a tough plastic material that withstands heavy-duty usage and most chemicals found in industrial environments. The aluminum housing is a mix of aluminium and silicon called Silumin, which gives an excellent protection against corrosion while being robust and tough against impact and sun light.

Features

- IP67 Watertight or IP44 Splash proof
- 16 - 125 A, 50 - 690 VAC
- IEC 60 309-2, -4
- All external screws are made of stainless steel

Application examples

- Heavy / chemical industry
- Sawmills
- Airports
- Hospitals



Industrial plugs & sockets

Plugs - splash proof IP44

16A, IP44 Splash proof Thermoplastic



Cable entry with compression gland. Cable area 1 - 2.5mm²

| Type | Terminals/Poles | Colour Code | Voltage V | Part No | Product Hierarchy 0000900003 Order Code |
|--------|-----------------|-------------|-----------|----------|--|
| 2P+E | 3 | Yellow | 100-130 | 216-P4* | 2CMA193500R1000 |
| | | Blue | 200-250 | 216-P9* | 2CMA193501R1000 |
| 3P+E | 4 | Yellow | 100-130 | 316-P4* | 2CMA193504R1000 |
| | | Black | 600-690 | 316-P5* | 2CMA193505R1000 |
| | | Black | 480-500 | 316-P7* | 2CMA193507R1000 |
| | | Blue | 200-250 | 316-P9* | 2CMA193508R1000 |
| | | Red | 440-460 | 316-P11* | 2CMA193509R1000 |
| 3P+N+E | 5 | Red | 346-415 | 416-P6* | 2CMA193511R1000 |

32A, IP44 Splash proof Thermoplastic



Cable entry with compression gland. Cable area 2.5 - 6mm²

| Type | Terminals/Poles | Colour Code | Voltage V | Part No | Product Hierarchy 0000900003 Order Code |
|--------|-----------------|-------------|-----------|----------|--|
| 2P+E | 3 | Yellow | 100-130 | 232-P4* | 2CMA193512R1000 |
| | | Blue | 200-250 | 232-P6* | 2CMA193513R1000 |
| 3P+E | 4 | Black | 600-690 | 332-P5 | 2CMA193514R1000 |
| | | Red | 380-415 | 332-P6* | 2CMA193515R1000 |
| | | Black | 480-500 | 332-P7* | 2CMA193516R1000 |
| | | Blue | 200-250 | 332-P9* | 2CMA193517R1000 |
| | | Red | 440-460 | 332-P11* | 2CMA193518R1000 |
| 3P+N+E | 5 | Red | 346-415 | 432-P6* | 2CMA193519R1000 |

63A, IP44 Splash proof Thermoplastic



Cable entry with compression gland. Cable area 4 - 16mm²

| Type | Terminals/Poles | Colour Code | Voltage V | Part No | Product Hierarchy 0000900003 Order Code |
|------|-----------------|-------------|-----------|---------|--|
| 2P+E | 3 | Yellow | 100-130 | 263-P4 | 2CMA166740R1000 |
| | | Blue | 200-250 | 263-P6* | 2CMA166742R1000 |
| 3P+E | 4 | Black | 600-690 | 363-P5 | 2CMA166750R1000 |
| | | Red | 380-415 | 363-P6* | 2CMA166752R1000 |
| | | Black | 480-500 | 363-P7* | 2CMA166754R1000 |
| | | Blue | 200-250 | 363-P9 | 2CMA166756R1000 |
| | | Red | 346-415 | 463-P6* | 2CMA166764R1000 |

* Indicates standard product.

Industrial plugs & sockets

Plugs - watertight IP67

16 A, IP67 Watertight Plastic enclosure (PBT)



Cable entry with compression gland. Cable area 1 - 2.5mm²

| Type | Terminals/Poles | Colour Code | Voltage V | Part No | Product Hierarchy 0000900003 Order Code |
|--------|-----------------|-------------|-----------|----------|--|
| 2P+E | 3 | Yellow | 100-130 | 216-P4W* | 2CMA166458R1000 |
| | | Blue | 200-250 | 216-P6W* | 2CMA166460R1000 |
| 3P+E | 4 | Yellow | 100-130 | 316-P4W | 2CMA166472R1000 |
| | | Black | 600-690 | 316-P5W* | 2CMA166474R1000 |
| | | Red | 380-415 | 316-P6W* | 2CMA166476R1000 |
| | | Black | 480-500 | 316-P7W | 2CMA166478R1000 |
| | | Blue | 200-250 | 316-P9W | 2CMA166482R1000 |
| 3P+N+E | 5 | Yellow | 100-130 | 416-P4W | 2CMA166492R1000 |
| | | Red | 346-415 | 416-P6W* | 2CMA166500R1000 |
| | | Blue | 200-250 | 416-P9W | 2CMA166498R1000 |

32 A, IP67 Watertight Plastic enclosure (PBT)



Cable entry with compression gland. Cable area 2.5-6 mm²

| Type | Terminals/Poles | Colour Code | Voltage V | Part No | Product Hierarchy 0000900003 Order Code |
|--------|-----------------|-------------|-----------|----------|--|
| 2P+E | 3 | Yellow | 100-130 | 232-P4W | 2CMA166504R1000 |
| | | Blue | 200-250 | 232-P6W* | 2CMA166722R1000 |
| 3P+E | 4 | Yellow | 100-130 | 332-P4W | 2CMA166734R1000 |
| | | Black | 600-690 | 332-P5W | 2CMA166736R1000 |
| | | Red | 380-415 | 332-P6W* | 2CMA166513R1000 |
| | | Black | 480-500 | 332-P7W | 2CMA166506R1000 |
| | | Blue | 200-250 | 332-P9W | 2CMA166508R1000 |
| 3P+N+E | 5 | Yellow | 100-130 | 432-P4W | 2CMA166522R1000 |
| | | Red | 346-415 | 432-P6W* | 2CMA166524R1000 |
| | | Blue | 200-250 | 432-P9W | 2CMA166528R1000 |

63 A, IP67 Watertight Plastic enclosure (PBT)



Cable entry with compression gland, internal and external cable clamp. Cable area 4-16 mm²

| Type | Terminals/Poles | Colour Code | Voltage V | Part No | Product Hierarchy 0000900003 Order Code |
|--------|-----------------|-------------|-----------|----------|--|
| 2P+E | 3 | Yellow | 100-130 | 263-P4W | 2CMA166774R1000 |
| | | Blue | 200-250 | 263-P6W | 2CMA166776R1000 |
| 3P+E | 4 | Yellow | 100-130 | 363-P4W | 2CMA166782R1000 |
| | | Black | 600-690 | 363-P5W | 2CMA166784R1000 |
| | | Red | 380-415 | 363-P6W* | 2CMA166792R1000 |
| | | Black | 480-500 | 363-P7W | 2CMA166788R1000 |
| | | Blue | 200-250 | 363-P9W | 2CMA166790R1000 |
| 3P+N+E | 5 | Yellow | 100-130 | 463-P4W | 2CMA166796R1000 |
| | | Red | 380-415 | 463-P6W | 2CMA166798R1000 |
| | | Blue | 200-250 | 463-P9W | 2CMA166802R1000 |

* Indicates standard product.

Industrial plugs & sockets

Plugs - watertight IP67

125 A, IP67 Watertight
Plastic enclosure (PBT)



Cable entry with compression gland, internal and external cable clamp. Cable area 16-50 mm²



| Type | Terminals/Poles | Colour Code | Voltage V | Part No | Product Hierarchy 0000900003 Order Code |
|--------|-----------------|-------------|-----------|-----------|--|
| 2P+E | 3 | Yellow | 100-130 | 2125-P4W | 2CMA166808R1000 |
| | | Blue | 200-250 | 2125-P6W | 2CMA166810R1000 |
| 3P+E | 4 | Yellow | 100-130 | 3125-P4W | 2CMA166824R1000 |
| | | Black | 600-690 | 3125-P5W | 2CMA166814R1000 |
| | | Red | 380-415 | 3125-P6W* | 2CMA166816R1000 |
| | | Black | 480-500 | 3125-P7W | 2CMA166818R1000 |
| | | Blue | 200-250 | 3125-P9W | 2CMA166820R1000 |
| 3P+N+E | 5 | Yellow | 100-130 | 4125-P4W | 2CMA166826R1000 |
| | | Red | 380-415 | 4125-P6W* | 2CMA166828R1000 |
| | | Blue | 200-250 | 4125-P9W | 2CMA166832R1000 |

* Indicates standard product.

Industrial plugs & sockets

Connectors - splash proof IP44

16A, IP44 Splash proof Thermoplastic

Cable entry with compression gland. Cable area 1 - 2.5mm²



| Type | Terminals/Poles | Colour Code | Voltage V | Part No | Product Hierarchy 0000900003 Order Code |
|--------|-----------------|-------------|-----------|---------|--|
| 2P+E | 3 | Yellow | 100-130 | 216-C4* | 2CMA193520R1000 |
| | | Blue | 200-250 | 216-C9* | 2CMA193521R1000 |
| 3P+E | 4 | Yellow | 100-130 | 316-C4* | 2CMA193522R1000 |
| | | Red | 380-415 | 316-C6* | 2CMA193523R1000 |
| | | Black | 480-500 | 316-C7* | 2CMA193524R1000 |
| | | Blue | 200-250 | 316-C9* | 2CMA193525R1000 |
| 3P+N+E | 5 | Red | 346-415 | 416-C6* | 2CMA193526R1000 |

32A, IP44 Splash proof Thermoplastic

Cable entry with compression gland. Cable area 2.5 - 6mm²



| Type | Terminals/Poles | Colour Code | Voltage V | Part No | Product Hierarchy 0000900003 Order Code |
|--------|-----------------|-------------|-----------|---------|--|
| 2P+E | 3 | Yellow | 100-130 | 232-C4 | 2CMA193527R1000 |
| | | Blue | 200-250 | 232-C6* | 2CMA193528R1000 |
| 3P+E | 4 | Black | 600-690 | 332-C5 | 2CMA193533R1000 |
| | | Red | 380-415 | 332-C6* | 2CMA193529R1000 |
| | | Black | 480-500 | 332-C7* | 2CMA193534R1000 |
| | | Blue | 200-250 | 332-C9* | 2CMA193530R1000 |
| 3P+N+E | 5 | Red | 346-415 | 432-C6* | 2CMA193529R1000 |

63A, IP44 Splash proof Thermoplastic

Cable entry with compression gland. Cable area 4 - 16mm²



| Type | Terminals/Poles | Colour Code | Voltage V | Part No | Product Hierarchy 0000900003 Order Code |
|--------|-----------------|-------------|-----------|---------|--|
| 2P+E | 3 | Yellow | 100-130 | 263-C4 | 2CMA166838R1000 |
| | | Blue | 200-250 | 263-C6 | 2CMA166840R1000 |
| 3P+E | 4 | Black | 600-690 | 363-C5 | 2CMA166848R1000 |
| | | Red | 380-415 | 363-C6* | 2CMA166850R1000 |
| | | Black | 480-500 | 363-C7* | 2CMA166852R1000 |
| | | Blue | 200-250 | 363-C9 | 2CMA166854R1000 |
| 3P+N+E | 5 | Red | 346-415 | 463-C6* | 2CMA166862R1000 |

* Indicates standard product.

Industrial plugs & sockets

Connectors - watertight IP67

16 A, IP67 Watertight Plastic enclosure (PBT)



Cable entry with compression gland. Cable area 1 - 2.5mm²

| Type | Terminals/Poles | Colour Code | Voltage V | Part No | Product Hierarchy 0000900003 Order Code |
|------------|-----------------|-------------|-----------|----------|--|
| 2P + E | 3 | Yellow | 100-130 | 216-C4W | 2CMA166536R1000 |
| | | Blue | 200-250 | 216-C6W* | 2CMA166538R1000 |
| 3P + E | 4 | Yellow | 100-130 | 316-C4W | 2CMA166550R1000 |
| | | Black | 600-690 | 316-C5W* | 2CMA166552R1000 |
| | | Red | 380-415 | 316-C6W* | 2CMA166548R1000 |
| | | Black | 480-500 | 316-C7W | 2CMA166556R1000 |
| | | Blue | 200-250 | 316-C9W | 2CMA166558R1000 |
| 3P + N + E | 5 | Yellow | 100-130 | 416-C4W | 2CMA166570R1000 |
| | | Red | 346-415 | 416-C6W* | 2CMA166568R1000 |
| | | Blue | 200-250 | 416-C9W | 2CMA166576R1000 |



32 A, IP67 Watertight Plastic enclosure (PBT)



Cable entry with compression gland. Cable area 2.5-6 mm²

| Type | Terminals/Poles | Colour Code | Voltage V | Part No | Product Hierarchy 0000900003 Order Code |
|------------|-----------------|-------------|-----------|----------|--|
| 2P + E | 3 | Yellow | 100-130 | 232-C4W | 2CMA166582R1000 |
| | | Blue | 200-250 | 232-C6W* | 2CMA166584R1000 |
| 3P + E | 4 | Yellow | 100-130 | 332-C4W | 2CMA166600R1000 |
| | | Black | 600-690 | 332-C5W | 2CMA166602R1000 |
| | | Red | 380-415 | 332-C6W* | 2CMA166598R1000 |
| | | Black | 480-500 | 332-C7W | 2CMA166606R1000 |
| | | Blue | 200-250 | 332-C9W | 2CMA166608R1000 |
| 3P + N + E | 5 | Yellow | 100-130 | 432-C4W | 2CMA166616R1000 |
| | | Red | 380-415 | 432-C6W* | 2CMA166618R1000 |
| | | Blue | 200-250 | 432-C9W | 2CMA166622R1000 |



63 A, IP67 Watertight Plastic enclosure (PBT)



Cable entry with compression gland, internal and external cable clamp. Cable area 4-16 mm²

| Type | Terminals/Poles | Colour Code | Voltage V | Part No | Product Hierarchy 0000900003 Order Code |
|------------|-----------------|-------------|-----------|----------|--|
| 2P + E | 3 | Yellow | 100-130 | 263-C4W | 2CMA166872R1000 |
| | | Blue | 200-250 | 263-C6W | 2CMA166874R1000 |
| 3P + E | 4 | Yellow | 100-130 | 363-C4W | 2CMA166890R1000 |
| | | Black | 600-690 | 363-C5W | 2CMA166892R1000 |
| | | Red | 380-415 | 363-C6W* | 2CMA166894R1000 |
| | | Black | 480-500 | 363-C7W | 2CMA166896R1000 |
| | | Blue | 200-250 | 363-C9W | 2CMA166898R1000 |
| 3P + N + E | 5 | Yellow | 100-130 | 463-C4W | 2CMA166904R1000 |
| | | Red | 380-415 | 463-C6W | 2CMA166906R1000 |
| | | Blue | 200-250 | 463-C9W | 2CMA166910R1000 |



* Indicates standard product.

Industrial plugs & sockets

Connectors - watertight IP67

125 A, IP67 Watertight
Plastic enclosure (PBT)



Cable entry with compression gland. Internal and external cable clamp. LP types with long phase sleeves and pilot sleeve. Cable area 16-50 mm²



| Type | Terminals/Poles | Colour Code | Voltage V | Part No | Product Hierarchy 0000900003 Order Code |
|--------|-----------------|-------------|-----------|-----------|--|
| 2P+E | 3 | Yellow | 100-130 | 2125-C4W | 2CMA166916R1000 |
| | | Blue | 200-250 | 2125-C6W | 2CMA166918R1000 |
| 3P+E | 4 | Yellow | 100-130 | 3125-C4W | 2CMA166922R1000 |
| | | Black | 600-690 | 3125-C5W | 2CMA166923R1000 |
| | | Red | 380-415 | 3125-C6W* | 2CMA166924R1000 |
| | | Black | 480-500 | 3125-C7W | 2CMA166926R1000 |
| | | Blue | 200-250 | 3125-C9W | 2CMA166928R1000 |
| 3P+N+E | 5 | Yellow | 100-130 | 4125-C4W | 2CMA166934R1000 |
| | | Red | 380-415 | 4125-C6W* | 2CMA166936R1000 |
| | | Blue | 200-250 | 4125-C9W | 2CMA166940R1000 |

* Indicates standard product.

Industrial plugs & sockets

Surface sockets - splash proof IP44

16A, IP44 Splash proof Thermoplastic



Flexible membrane and M20 insert for top cable entry.
Rear knockout cable entry. Cable area 1.5 - 4mm²

| Type | Terminals/Poles | Colour Code | Voltage V | Part No | Product Hierarchy 0000900003 Order Code |
|--------|-----------------|-------------|-----------|----------|--|
| 2P+E | 3 | Yellow | 100-130 | 216-RS4* | 2CMA193097R1000 |
| | | Blue | 200-250 | 216-RS6* | 2CMA193098R1000 |
| 3P+E | 4 | Yellow | 100-130 | 316-RS4 | 2CMA193104R1000 |
| | | Black | 600-690 | 316-RS5 | 2CMA193105R1000 |
| | | Red | 380-415 | 316-RS6* | 2CMA193106R1000 |
| | | Black | 480-500 | 316-RS7* | 2CMA193107R1000 |
| | | Blue | 200-250 | 316-RS9 | 2CMA193108R1000 |
| | | Red | 440-460 | 316-RS11 | 2CMA193110R1000 |
| 3P+N+E | 5 | Red | 346-415 | 416-RS6* | 2CMA193115R1000 |

32A, IP44 Splash proof Thermoplastic



Flexible membrane and M25 insert for top cable entry.
Rear knockout cable entry. Cable area 2.5 - 10mm²

| Type | Terminals/Poles | Colour Code | Voltage V | Part No | Product Hierarchy 0000900003 Order Code |
|--------|-----------------|-------------|-----------|----------|--|
| 2P+E | 3 | Yellow | 100-130 | 232-RS4 | 2CMA193121R1000 |
| | | Blue | 200-250 | 232-RS6 | 2CMA193122R1000 |
| 3P+E | 4 | Black | 600-690 | 332-RS5 | 2CMA193129R1000 |
| | | Red | 380-415 | 332-RS6* | 2CMA193130R1000 |
| | | Black | 480-500 | 332-RS7 | 2CMA193131R1000 |
| | | Blue | 200-250 | 332-RS9 | 2CMA193132R1000 |
| 3P+N+E | 5 | Red | 346-415 | 432-RS6* | 2CMA193139R1000 |

63A, IP44 Splash proof Thermoplastic Polyester (PBT)



Cable entry M32. Alternative rear knockout cable entry. Cable area 6 - 25mm²

| Type | Terminals/Poles | Colour Code | Voltage V | Part No | Product Hierarchy 0000900003 Order Code |
|--------|-----------------|-------------|-----------|----------|--|
| 2P+E | 3 | Yellow | 100-130 | 263-RS4 | 2CMA167474R1000 |
| | | Blue | 200-250 | 263-RS6 | 2CMA167476R1000 |
| 3P+E | 4 | Black | 600-690 | 363-RS5 | 2CMA167496R1000 |
| | | Red | 380-415 | 363-RS6* | 2CMA167498R1000 |
| | | Black | 480-500 | 363-RS7 | 2CMA167500R1000 |
| | | Blue | 200-250 | 363-RS9 | 2CMA167502R1000 |
| 3P+N+E | 5 | Red | 346-415 | 463-RS6* | 2CMA167484R1000 |

* Indicates standard product.

Industrial plugs & sockets

Surface sockets - watertight IP67

16 A, IP67 Watertight Plastic enclosure (PBT)

Cable entry Ø 25 mm. Cable area 1.5-4 mm²



| Type | Terminals/Poles | Colour Code | Voltage V | Part No | Product Hierarchy 0000900003 Order Code |
|--------|-----------------|-------------|-----------|-----------|--|
| 2P+E | 3 | Yellow | 100-130 | 216-RS4W | 2CMA167148R1000 |
| | | Blue | 200-250 | 216-RS6W* | 2CMA167149R1000 |
| 3P+E | 4 | Yellow | 100-130 | 316-RS4W | 2CMA167155R1000 |
| | | Black | 600-690 | 316-RS5W* | 2CMA167156R1000 |
| | | Red | 380-415 | 316-RS6W* | 2CMA167157R1000 |
| | | Black | 480-500 | 316-RS7W | 2CMA167158R1000 |
| | | Blue | 200-250 | 316-RS9W | 2CMA167159R1000 |
| 3P+N+E | 5 | Yellow | 100-130 | 416-RS4W | 2CMA167165R1000 |
| | | Red | 346-415 | 416-RS6W* | 2CMA167166R1000 |
| | | Blue | 200-250 | 416-RS9W | 2CMA167168R1000 |

32 A, IP67 Watertight Plastic enclosure (PBT)

Cable entry Ø 25 mm. Cable area 2.5-10 mm²



| Type | Terminals/Poles | Colour Code | Voltage V | Part No | Product Hierarchy 0000900003 Order Code |
|--------|-----------------|-------------|-----------|-----------|--|
| 2P+E | 3 | Yellow | 100-130 | 232-RS4W | 2CMA167171R1000 |
| | | Blue | 200-250 | 232-RS6W* | 2CMA167172R1000 |
| 3P+E | 4 | Yellow | 100-130 | 332-RS4W | 2CMA167178R1000 |
| | | Black | 600-690 | 332-RS5W | 2CMA167179R1000 |
| | | Red | 380-415 | 332-RS6W* | 2CMA167180R1000 |
| | | Black | 480-500 | 332-RS7W | 2CMA167181R1000 |
| | | Blue | 200-250 | 332-RS9W | 2CMA167182R1000 |
| 3P+N+E | 5 | Yellow | 100-130 | 462-RS4W | 2CMA167188R1000 |
| | | Red | 380-415 | 462-RS6W | 2CMA167187R1000 |
| | | Blue | 200-250 | 462-RS9W | 2CMA167191R1000 |

63 A, IP67 Watertight Plastic enclosure (PBT)

Cable entry with compression gland, internal and external cable clamp. Cable area 4-16 mm²



| Type | Terminals/Poles | Colour Code | Voltage V | Part No | Product Hierarchy 0000900003 Order Code |
|--------|-----------------|-------------|-----------|-----------|--|
| 2P+E | 3 | Yellow | 100-130 | 263-RS4W | 2CMA167304R1000 |
| | | Blue | 200-250 | 263-RS6W | 2CMA167306R1000 |
| 3P+E | 4 | Yellow | 100-130 | 363-RS4W | 2CMA167312R1000 |
| | | Black | 600-690 | 363-RS5W | 2CMA167314R1000 |
| | | Red | 380-415 | 363-RS6W* | 2CMA167316R1000 |
| | | Black | 480-500 | 363-RS7W | 2CMA167318R1000 |
| | | Blue | 200-250 | 363-RS9W | 2CMA167320R1000 |
| 3P+N+E | 5 | Yellow | 100-130 | 463-RS4W | 2CMA167326R1000 |
| | | Red | 380-415 | 463-RS6W | 2CMA167328R1000 |
| | | Blue | 200-250 | 463-RS9W | 2CMA167332R1000 |

* Indicates standard product.

Industrial plugs & sockets

Surface sockets - watertight IP67

125 A, IP67 Watertight
Plastic enclosure (PBT)



Cable entry Ø 50 mm. Cable area 16-70 mm²

| Type | Terminals/Poles | Colour Code | Voltage V | Part No | Product Hierarchy 0000900003 Order Code |
|------------|-----------------|-------------|-----------|------------|--|
| 2P + E | 3 | Yellow | 100-130 | 2125-RS4W | 2CMA167244R1000 |
| | | Blue | 200-250 | 2125-RS6W | 2CMA167246R1000 |
| 3P + E | 4 | Yellow | 100-130 | 3125-RS4W | 2CMA167250R1000 |
| | | Black | 600-690 | 3125-RS5W | 2CMA167251R1000 |
| | | Red | 380-415 | 3125-RS6W* | 2CMA167252R1000 |
| | | Black | 480-500 | 3125-RS7W | 2CMA167254R1000 |
| | | Blue | 200-250 | 3125-RS9W | 2CMA167256R1000 |
| 3P + N + E | 5 | Yellow | 100-130 | 4125-RS4W | 2CMA167262R1000 |
| | | Red | 380-415 | 4125-RS6W* | 2CMA167264R1000 |
| | | Blue | 200-250 | 4125-RS9W | 2CMA167268R1000 |

* Indicates standard product.

Industrial plugs & sockets

Surface inlets - splash proof IP44

16A, IP44 Splash proof Thermoplastic (PA)



Flexible membrane and metric threaded M20 insert for top cable entry. Rear knock-out cable entry. Cable area 1.5-4 mm²

| Type | Terminals/Poles | Colour Code | Voltage V | Part No | Product Hierarchy 0000900003 Order Code |
|--------|-----------------|-------------|-----------|---------|---|
| 2P+E | 3 | Yellow | 100-130 | 216-BS4 | 2CMA193289R1000 |
| | | Blue | 200-250 | 216-BS6 | 2CMA193290R1000 |
| 3P+E | 4 | Yellow | 100-130 | 316-BS4 | 2CMA193296R1000 |
| | | Black | 600-690 | 316-BS5 | 2CMA193297R1000 |
| | | Red | 380-415 | 316-BS6 | 2CMA193298R1000 |
| | | Black | 480-500 | 316-BS7 | 2CMA193299R1000 |
| | | Blue | 200-250 | 316-BS9 | 2CMA193300R1000 |
| 3P+N+E | 5 | Red | 346-415 | 416-BS6 | 2CMA193307R1000 |

32A, IP44 Splash proof Thermoplastic (PA)



Flexible membrane and metric threaded M25 insert for top cable entry. Rear knock-out cable entry. Cable area 2.5-10 mm²

| Type | Terminals/Poles | Colour Code | Voltage V | Part No | Product Hierarchy 0000900003 Order Code |
|------|-----------------|-------------|-----------|---------|---|
| 2P+E | 3 | Yellow | 100-130 | 232-BS4 | 2CMA193313R1000 |
| | | Blue | 200-250 | 232-BS6 | 2CMA193314R1000 |
| | | Black | 600-690 | 332-BS5 | 2CMA193321R1000 |
| | | Red | 380-415 | 332-BS6 | 2CMA193322R1000 |
| | | Black | 480-500 | 332-BS7 | 2CMA193323R1000 |
| | | Blue | 200-250 | 332-BS9 | 2CMA193324R1000 |
| | | 3P+N+E | 5 | Red | 346-415 |

63A, IP44 Splash proof Thermoplastic Polyester (PBT)



M32 alternative rear knock-out cable entry. Cable area 6-25 mm²

| Type | Terminals/Poles | Colour Code | Voltage V | Part No | Product Hierarchy 0000900003 Order Code |
|------|-----------------|-------------|-----------|---------|---|
| 2P+E | 3 | Yellow | 100-130 | 263-BS4 | 2CMA167542R1000 |
| | | Blue | 200-250 | 263-BS6 | 2CMA167544R1000 |
| | | Black | 600-690 | 363-BS5 | 2CMA167552R1000 |
| | | Red | 380-415 | 363-BS6 | 2CMA167554R1000 |
| | | Black | 480-500 | 363-BS7 | 2CMA167556R1000 |
| | | Blue | 200-250 | 363-BS9 | 2CMA167558R1000 |
| | | 3P+N+E | 5 | Red | 346-415 |

* Indicates standard product.

Industrial plugs & sockets

Surface inlets - watertight IP67

16 A, IP67 Watertight Plastic enclosure (PBT)



Cable entry Ø 25 mm. Cable area 1.5-4 mm²

| Type | Terminals/Poles | Colour Code | Voltage V | Part No | Product Hierarchy 0000900003 Order Code |
|------------|-----------------|-------------|-----------|-----------|---|
| 2P + E | 3 | Yellow | 100-130 | 216-BS4W | 2CMA167042R1000 |
| | | Blue | 200-250 | 216-BS6W* | 2CMA167044R1000 |
| 3P + E | 4 | Yellow | 100-130 | 316-BS4W | 2CMA167056R1000 |
| | | Black | 600-690 | 316-BS5W* | 2CMA167058R1000 |
| | | Red | 380-415 | 316-BS6W* | 2CMA167068R1000 |
| | | Black | 480-500 | 316-BS7W | 2CMA167062R1000 |
| | | Blue | 200-250 | 316-BS9W | 2CMA167064R1000 |
| 3P + N + E | 5 | Yellow | 100-130 | 416-BS4W | 2CMA167076R1000 |
| | | Red | 346-415 | 416-BS6W | 2CMA167078R1000 |
| | | Blue | 200-250 | 416-BS9W | 2CMA167082R1000 |

32 A, IP67 Watertight Plastic enclosure (PBT)



Cable entry Ø 25 mm. Cable area 2.5-10 mm²

| Type | Terminals/Poles | Colour Code | Voltage V | Part No | Product Hierarchy 0000900003 Order Code |
|------------|-----------------|-------------|-----------|-----------|---|
| 2P + E | 3 | Yellow | 100-130 | 232-BS4W | 2CMA167088R1000 |
| | | Blue | 200-250 | 232-BS6W* | 2CMA167090R1000 |
| 3P + E | 4 | Yellow | 100-130 | 332-BS4W | 2CMA167102R1000 |
| | | Black | 600-690 | 332-BS5W | 2CMA167103R1000 |
| | | Red | 380-415 | 332-BS6W* | 2CMA167104R1000 |
| | | Black | 480-500 | 332-BS7W | 2CMA167106R1000 |
| | | Blue | 200-250 | 332-BS9W | 2CMA167108R1000 |
| 3P + N + E | 5 | Yellow | 100-130 | 462-BS4W | 2CMA167118R1000 |
| | | Red | 346-415 | 462-BS6W* | 2CMA167122R1000 |
| | | Blue | 200-250 | 462-BS9W | 2CMA167126R1000 |

63 A, IP67 Watertight Plastic enclosure (PBT)



Cable entry Ø 32 mm. Cable area 6-25 mm²

| Type | Terminals/Poles | Colour Code | Voltage V | Part No | Product Hierarchy 0000900003 Order Code |
|------------|-----------------|-------------|-----------|-----------|---|
| 2P + E | 3 | Yellow | 100-130 | 263-BS4W | 2CMA167338R1000 |
| | | Blue | 200-250 | 263-BS6W | 2CMA167340R1000 |
| 3P + E | 4 | Yellow | 100-130 | 363-BS4W | 2CMA167346R1000 |
| | | Black | 600-690 | 363-BS5W | 2CMA167348R1000 |
| | | Red | 380-415 | 363-BS6W* | 2CMA167356R1000 |
| | | Black | 480-500 | 363-BS7W | 2CMA167352R1000 |
| | | Blue | 200-250 | 363-BS9W | 2CMA167354R1000 |
| 3P + N + E | 5 | Yellow | 100-130 | 463-BS4W | 2CMA167360R1000 |
| | | Red | 346-415 | 463-BS6W | 2CMA167362R1000 |
| | | Blue | 200-250 | 463-BS9W | 2CMA167366R1000 |

* Indicates standard product.

Industrial plugs & sockets

Surface inlets - watertight IP67

125 A, IP67 Watertight
Plastic enclosure (PBT)



Cable entry Ø 50 mm. Cable area 16-70 mm²

| Type | Terminals/Poles | Colour Code | Voltage V | Part No | Product Hierarchy 0000900003 Order Code |
|--------|-----------------|-------------|-----------|------------|--|
| 2P+E | 3 | Yellow | 100-130 | 2125-BS4W | 2CMA167274R1000 |
| | | Blue | 200-250 | 2125-BS6W | 2CMA167276R1000 |
| 3P+E | 4 | Yellow | 100-130 | 3125-BS4W | 2CMA167280R1000 |
| | | Black | 480-500 | 3125-BS7W | 2CMA167284R1000 |
| | | Blue | 200-250 | 3125-BS9W | 2CMA167286R1000 |
| | | Red | 380-415 | 3125-BS6W | 2CMA167282R1000 |
| 3P+N+E | 5 | Yellow | 100-130 | 4125-BS4W | 2CMA167292R1000 |
| | | Blue | 200-250 | 4125-BS9W | 2CMA167298R1000 |
| | | Red | 346-415 | 4125-BS6W* | 2CMA167294R1000 |

* Indicates standard product.

Industrial plugs & sockets

Panel mounted socket outlets - splash proof IP44

16A, IP44 Splash proof Thermoplastic (PA)

Cable area 1.5-4 mm²



| Type | Terminals/Poles | Colour Code | Voltage V | Part No | Product Hierarchy 0000900003 Order Code |
|--------|-----------------|-------------|-----------|----------|---|
| 2P+E | 3 | Yellow | 100-130 | 216-RU4 | 2CMA193169R1000 |
| | | Blue | 200-250 | 216-RU6* | 2CMA193170R1000 |
| 3P+E | 4 | Yellow | 100-130 | 316-RU4 | 2CMA193176R1000 |
| | | Black | 600-690 | 316-RU5 | 2CMA193177R1000 |
| | | Red | 380-415 | 316-RU6* | 2CMA193178R1000 |
| | | Black | 480-500 | 316-RU7 | 2CMA193179R1000 |
| | | Blue | 200-250 | 316-RU9* | 2CMA193180R1000 |
| | | Red | 440-460 | 316-RU11 | 2CMA193182R1000 |
| 3P+E+N | 5 | Red | 440-460 | 316-RU6* | 2CMA193187R1000 |

32A, IP44 Splash proof Thermoplastic (PA)

Cable area 2.5-10 mm²



| Type | Terminals/Poles | Colour Code | Voltage V | Part No | Product Hierarchy 0000900003 Order Code |
|--------|-----------------|-------------|-----------|----------|---|
| 2P+E | 3 | Yellow | 100-130 | 232-RU4* | 2CMA193241R1000 |
| | | Blue | 200-250 | 232-RU6* | 2CMA193242R1000 |
| 3P+E | 4 | Black | 600-690 | 332-RU5 | 2CMA193249R1000 |
| | | Red | 380-415 | 332-RU6* | 2CMA193250R1000 |
| | | Black | 480-500 | 332-RU7 | 2CMA193251R1000 |
| | | Blue | 200-250 | 332-RU9* | 2CMA193252R1000 |
| 3P+N+E | 5 | Red | 346-415 | 463-RU6* | 2CMA193259R1000 |

63A, IP44 Splash proof Thermoplastic Polyester (PBT)

Cable area 6-25 mm²



| Type | Terminals/Poles | Colour Code | Voltage V | Part No | Product Hierarchy 0000900003 Order Code |
|--------|-----------------|-------------|-----------|----------|---|
| 2P+E | 3 | Yellow | 100-130 | 263-RU4 | 2CMA167508R1000 |
| | | Blue | 200-250 | 263-RU6 | 2CMA167510R1000 |
| 3P+E | 4 | Black | 600-690 | 363-RU5 | 2CMA167518R1000 |
| | | Red | 380-415 | 363-RU6 | 2CMA167520R1000 |
| | | Black | 480-500 | 363-RU7 | 2CMA167522R1000 |
| | | Blue | 200-250 | 363-RU9 | 2CMA167524R1000 |
| 3P+N+E | 5 | Red | 346-415 | 463-RU6* | 2CMA167532R1000 |

* Indicates standard product.

Industrial plugs & sockets

Panel mounted socket outlets - watertight IP67

16A, IP67 Watertight Thermoplastic (PA)



Cable area 1.5-4 mm²



| Type | Terminals/Poles | Colour Code | Voltage V | Part No | Product Hierarchy 0000900003 Order Code |
|--------|-----------------|-------------|-----------|------------|---|
| 2P+E | 3 | Yellow | 100-130 | 216-RAU4* | 2CMA166994R1000 |
| | | Blue | 200-250 | 216-RAU6* | 2CMA166996R1000 |
| 3P+E | 4 | Yellow | 100-130 | 316-RAU4W | 2CMA167008R1000 |
| | | Black | 600-690 | 316-RAU5W | 2CMA167010R1000 |
| | | Red | 380-415 | 316-RAU6W* | 2CMA167012R1000 |
| | | Black | 480-500 | 316-RAU7W | 2CMA167014R1000 |
| | | Blue | 200-250 | 316-RAU9W | 2CMA167016R1000 |
| | | Red | 440-460 | 316-RAU11W | 2CMA167020R1000 |
| 3P+E+N | 5 | Red | 440-460 | 316-RAU6W* | 2CMA167360R1000 |

32A, IP67 Watertight Thermoplastic (PA)



Cable area 2.5-10 mm²



| Type | Terminals/Poles | Colour Code | Voltage V | Part No | Product Hierarchy 0000900003 Order Code |
|--------|-----------------|-------------|-----------|-----------|---|
| 2P+E | 3 | Yellow | 100-130 | 232-RAU4* | 2CMA166946R1000 |
| | | Blue | 200-250 | 232-RAU6* | 2CMA166948R1000 |
| 3P+E | 4 | Black | 600-690 | 332-RAU5 | 2CMA166962R1000 |
| | | Red | 380-415 | 332-RAU6* | 2CMA166964R1000 |
| | | Black | 480-500 | 332-RAU7 | 2CMA166966R1000 |
| | | Blue | 200-250 | 332-RAU9 | 2CMA166968R1000 |
| 3P+N+E | 5 | Red | 346-415 | 432-RAU6* | 2CMA166982R1000 |

63A, IP67 Watertight Thermoplastic Polyester (PBT)



Cable area 6-25 mm²



| Type | Terminals/Poles | Colour Code | Voltage V | Part No | Product Hierarchy 0000900003 Order Code |
|--------|-----------------|-------------|-----------|-----------|---|
| 2P+E | 3 | Yellow | 100-130 | 263-RAU4 | 2CMA167440R1000 |
| | | Blue | 200-250 | 263-RAU6 | 2CMA167442R1000 |
| 3P+E | 4 | Black | 600-690 | 363-RAU5 | 2CMA167450R1000 |
| | | Red | 380-415 | 363-RAU6 | 2CMA167452R1000 |
| | | Black | 480-500 | 363-RAU7 | 2CMA167454R1000 |
| | | Blue | 200-250 | 363-RAU9 | 2CMA167456R1000 |
| 3P+N+E | 5 | Red | 346-415 | 463-RAU6* | 2CMA167470R1000 |

* Indicates standard product.

Industrial plugs & sockets

Switched interlocked sockets - splash proof IP44

16A, IP44 Splash proof Plastic enclosure (PBT)



Cable entry with knock-outs Ø 25 mm. Cable area 1.5-4 mm²

| Type | Terminals/Poles | Colour Code | Voltage V | Part No | Product Hierarchy 0000900003 Order Code |
|--------|-----------------|-------------|-----------|-----------|--|
| 2P+E | 3 | Yellow | 100-130 | 216-MVS4 | 2CMA167645R1000 |
| | | Blue | 200-250 | 216-MVS6* | 2CMA167646R1000 |
| 3P+E | 4 | Yellow | 100-130 | 316-MVS4 | 2CMA167652R1000 |
| | | Black | 600-690 | 316-MVS5 | 2CMA167653R1000 |
| | | Red | 380-415 | 316-MVS6* | 2CMA167654R1000 |
| | | Black | 480-500 | 316-MVS7 | 2CMA167655R1000 |
| | | Blue | 200-250 | 316-MVS9 | 2CMA167656R1000 |
| | | Red | 440-460 | 316-MVS11 | 2CMA167658R1000 |
| 3P+E+N | 5 | Red | 440-460 | 316-MVS6* | 2CMA167663R1000 |



32A, IP44 Splash proof Plastic enclosure (PBT)



Cable entry with knock-outs Ø 25 mm. Cable area 2.5-10 mm²

| Type | Terminals/Poles | Colour Code | Voltage V | Part No | Product Hierarchy 0000900003 Order Code |
|--------|-----------------|-------------|-----------|-----------|--|
| 2P+E | 3 | Yellow | 100-130 | 232-MVS4 | 2CMA167691R1000 |
| | | Blue | 200-250 | 232-MVS6 | 2CMA167692R1000 |
| 3P+E | 4 | Black | 600-690 | 332-MVS5 | 2CMA167699R1000 |
| | | Red | 380-415 | 332-MVS6 | 2CMA167700R1000 |
| | | Black | 480-500 | 332-MVS7 | 2CMA167701R1000 |
| | | Blue | 200-250 | 332-MVS9 | 2CMA167702R1000 |
| 3P+N+E | 5 | Red | 346-415 | 432-MVS6* | 2CMA167091R1000 |



Industrial plugs & sockets

Switched interlocked sockets - watertight IP67

16A, IP67 Watertight Plastic enclosure (PBT)



Cable entry with knock-outs Ø 25 mm. Cable area 1.5-4 mm²



| Type | Terminals/Poles | Colour Code | Voltage V | Part No | Product Hierarchy 0000900003 Order Code |
|--------|-----------------|-------------|-----------------|------------|--|
| 2P+E | 3 | Yellow | 100-130 | 216-MVS4W | 2CMA167823R1000 |
| | | Blue | 200-250 | 216-MVS6W* | 2CMA167824R1000 |
| 3P+E | 4 | Yellow | 100-130 | 316-MVS4W | 2CMA167830R1000 |
| | | Black | 600-690 | 316-MVS5W | 2CMA167831R1000 |
| | | Red | 380-415 | 316-MVS6W* | 2CMA167832R1000 |
| | | Black | 480-500 | 316-MVS7W | 2CMA167833R1000 |
| | | Blue | 200-250 | 316-MVS9W | 2CMA167834R1000 |
| Red | 440-460 | 316-MVS11W | 2CMA167836R1000 | | |
| 3P+E+N | 5 | Red | 440-460 | 316-MVS6W* | 2CMA167842R1000 |

32A, IP67 Watertight Plastic enclosure (PBT)



Cable entry with knock-outs Ø 25 mm. Cable area 2.5-10 mm²



| Type | Terminals/Poles | Colour Code | Voltage V | Part No | Product Hierarchy 0000900003 Order Code |
|--------|-----------------|-------------|-----------|-----------|--|
| 2P+E | 3 | Yellow | 100-130 | 232-MVS4W | 2CMA167870R1000 |
| | | Blue | 200-250 | 232-MVS6W | 2CMA167871R1000 |
| 3P+E | 4 | Black | 600-690 | 332-MVS5W | 2CMA167877R1000 |
| | | Red | 380-415 | 332-MVS6W | 2CMA167878R1000 |
| | | Black | 480-500 | 332-MVS7W | 2CMA167880R1000 |
| | | Blue | 200-250 | 332-MVS9W | 2CMA167881R1000 |
| 3P+N+E | 5 | Red | 346-415 | 432-MVS6W | 2CMA167888R1000 |

Industrial plugs & sockets

Switched interlocked socket outlets - watertight IP67

16 A, IP67 Watertight Thermoplastic Polyester (PBT)



Cable entry with knock-outs Ø 25 mm up/M25 down. Cable area 1.5-4 mm²



| Type | Terminals/Poles | Colour Code | Voltage V | Part No | Product Hierarchy 0000900003 Order Code |
|--------|-----------------|-------------|-----------|------------|--|
| 2P+E | 3 | Yellow | 100-130 | 216-MHS4W | 2CMA167800R1000 |
| | | Blue | 200-250 | 216-MHS6W* | 2CMA167801R1000 |
| 3P+E | 4 | Yellow | 100-130 | 316-MHS4W | 2CMA167807R1000 |
| | | Black | 600-690 | 316MHS5W | 2CMA167808R1000 |
| | | Red | 380-415 | 316-MHS6W* | 2CMA167809R1000 |
| | | Black | 480-500 | 316MHS7W | 2CMA167810R1000 |
| | | Blue | 200-250 | 316-MHS9W | 2CMA167811R1000 |
| | | Red | 440-460 | 316-MHS11W | 2CMA167813R1000 |
| 3P+N+E | 5 | Yellow | 100-130 | 416-MHS4W | 2CMA167817R1000 |
| | | Red | 380-415 | 416-MHS6W* | 2CMA167818R1000 |
| | | Black | 480-500 | 416MHS7W | 2CMA167819R1000 |
| | | Blue | 200-250 | 416-MHS9W | 2CMA167820R1000 |
| | | Red | 440-460 | 416-MHS11W | 2CMA167821R1000 |

32 A, IP67 Watertight Thermoplastic Polyester (PBT)



Cable entry with knock-outs Ø 25 mm up/M25 down. Cable area 2.5-10 mm²



| Type | Terminals/Poles | Colour Code | Voltage V | Part No | Product Hierarchy 0000900003 Order Code |
|--------|-----------------|-------------|-----------|------------|--|
| 2P+E | 3 | Yellow | 100-130 | 232-MHS4W | 2CMA167847R1000 |
| | | Blue | 200-250 | 232-MHS6W | 2CMA167848R1000 |
| 3P+E | 4 | Yellow | 100-130 | 332-MHS4W | 2CMA167854R1000 |
| | | Black | 600-690 | 332MHS5W | 2CMA167855R1000 |
| | | Red | 380-440 | 332-MHS3W | 2CMA167853R1000 |
| | | Black | 480-500 | 332MHS7W | 2CMA167857R1000 |
| | | Blue | 200-250 | 332-MHS9W | 2CMA167858R1000 |
| | | Red | 440-460 | 332-MHS11W | 2CMA167860R1000 |
| 3P+N+E | 5 | Yellow | 100-130 | 432-MHS4W | 2CMA167864R1000 |
| | | Red | 380-440 | 432-MHS3W | 2CMA167863R1000 |
| | | Black | 480-500 | 432MHS7W | 2CMA167866R1000 |
| | | Blue | 200-250 | 432-MHS9W | 2CMA167867R1000 |
| | | Red | 440-460 | 432-MHS11W | 2CMA167868R1000 |

63A, IP67 Watertight Thermoplastic Polyester (PBT)



Cable entry with knock-outs 2xØ 32 mm. Cable area 6-25 mm²



| Type | Terminals/Poles | Colour Code | Voltage V | Part No | Product Hierarchy 0000900003 Order Code |
|--------|-----------------|-------------|-----------|------------|--|
| 2P+E | 3 | Yellow | 100-130 | 263-MHS4W | 2CMA167893R1000 |
| | | Blue | 200-250 | 263-MHS6W | 2CMA167894R1000 |
| 3P+E | 4 | Yellow | 100-130 | 363-MHS4W | 2CMA167897R1000 |
| | | Black | 600-690 | 363MHS5W | 2CMA167898R1000 |
| | | Red | 380-415 | 363-MHS6W | 2CMA167899R1000 |
| | | Black | 480-500 | 363MHS7W | 2CMA167900R1000 |
| | | Blue | 200-250 | 363-MHS9W | 2CMA167901R1000 |
| | | Red | 440-460 | 363-MHS11W | 2CMA167902R1000 |
| 3P+N+E | 5 | Yellow | 100-130 | 463-MHS4W | 2CMA167904R1000 |
| | | Red | 380-415 | 463-MHS6W* | 2CMA167905R1000 |
| | | Black | 480-500 | 463MHS7W | 2CMA167906R1000 |
| | | Blue | 200-250 | 463-MHS9W | 2CMA167907R1000 |
| | | Red | 440-460 | 463-MHS11W | 2CMA167908R1000 |

* Indicates standard product.

Industrial plugs & sockets

Switched interlocked socket outlets with protection - splash proof IP44



**16 A, IP44 Splash proof
Thermoplastic Polyester (PBT)**



Contains RCD 25 A/0.03 A, type A. Cable entry with knock-outs 2xØ 25 mm. Cable area 1.5-4 mm²

| Type | Terminals/Poles | Colour Code | Voltage V | Part No | Product Hierarchy 0000900003 Order Code |
|--------|-----------------|-------------|-----------|----------|--|
| 2P+E | 3 | Blue | 200-250 | 216-MPR6 | 2CMA167756R1000 |
| 3P+E | 4 | Red | 380-415 | 316-MPR6 | 2CMA167764R1000 |
| | | Blue | 200-250 | 316-MPR9 | 2CMA167766R1000 |
| 3P+N+E | 5 | Red | 346-415 | 416-MPR6 | 2CMA167772R1000 |



**32 A, IP44 Splash proof
Thermoplastic Polyester (PBT)**



Contains RCD 40 A/0.03 A, type A. Cable entry with knock-outs 2xØ 25 mm. Cable area 2.5-10 mm²

| Type | Terminals/Poles | Colour Code | Voltage V | Part No | Product Hierarchy 0000900003 Order Code |
|--------|-----------------|-------------|-----------|----------|--|
| 2P+E | 3 | Blue | 200-250 | 232-MPR6 | 2CMA167778R1000 |
| 3P+E | 4 | Red | 380-415 | 332-MPR6 | 2CMA167786R1000 |
| | | Blue | 200-250 | 332-MPR9 | 2CMA167788R1000 |
| 3P+N+E | 5 | Red | 346-415 | 432-MPR6 | 2CMA167795R1000 |

Industrial plugs & sockets

Switched interlocked socket outlets with protection - watertight IP67



**16 A, IP67 Watertight
Thermoplastic Polyester (PBT)**



Contains RCD 25 A/0.03 A, type A. Cable entry with knock-outs 2xØ 25 mm. Cable area 1.5-4 mm²

| Type | Terminals/Poles | Colour Code | Voltage V | Part No | Product Hierarchy 0000900003 Order Code |
|--------|-----------------|-------------|-----------|-----------|--|
| 2P+E | 3 | Blue | 200-250 | 216-MPR6W | 2CMA168058R1000 |
| 3P+E | 4 | Red | 380-415 | 316-MPR6W | 2CMA168066R1000 |
| | | Blue | 200-250 | 316-MPR9W | 2CMA168068R1000 |
| 3P+N+E | 5 | Red | 346-415 | 416-MPR6W | 2CMA168075R1000 |



**32 A, IP67 Watertight
Thermoplastic Polyester (PBT)**



Contains RCD 40 A/0.03 A, type A. Cable entry with knock-outs 2xØ 25 mm. Cable area 2.5-10 mm²

| Type | Terminals/Poles | Colour Code | Voltage V | Part No | Product Hierarchy 0000900003 Order Code |
|--------|-----------------|-------------|-----------|-----------|--|
| 2P+E | 3 | Blue | 200-250 | 232-MPR6W | 2CMA168081R1000 |
| 3P+E | 4 | Red | 380-415 | 332-MPR6W | 2CMA168089R1000 |
| | | Blue | 200-250 | 332-MPR9W | 2CMA168091R1000 |
| 3P+N+E | 5 | Red | 346-415 | 432-MPR6W | 2CMA168098R1000 |

Industrial plugs & sockets

For entertainment



With extensive experience of designing and producing industrial plugs and sockets, ABB provides products of high quality, functionality, reliability and safety. Regardless of the application, safety of people is the highest priority in electrical installations.

ABB is introducing a new series of black plugs and sockets, which are very well suited for entertainment applications, such as concerts, cinemas, radio and television studios, and open-air events. The black plugs and sockets are perfect for both indoor and outdoor use, where they will blend into their dark surroundings.

The pin and sleeve configuration comply to IEC standards and the product labels provides clear information on voltage range and what the product is intended for.

16 A and 32 A, IP44 Splash proof Plastic enclosure (PA)

Cable entry with compression gland.
Cable area 1-2.5 mm² for 16 A and 2.5-6 mm² for 32 A.



216-P6B



216-C6B



216-RAM6B

| Type | Rating A | Terminals/Poles | Colour Code | Voltage V | Part No | Product Hierarchy 0000900003 Order Code |
|------|----------|-----------------|-------------|-----------|---------|--|
|------|----------|-----------------|-------------|-----------|---------|--|

Plug

| | | | | | | |
|--------|----|---|-------|---------|---------|-----------------|
| 2P+E | 16 | 3 | Black | 200-250 | 216-P6B | 2CMA100549R1000 |
| 3P+E | | 4 | | 380-415 | 316-P6B | 2CMA100550R1000 |
| 3P+E+N | | 5 | | 346-415 | 416-P6B | 2CMA100551R1000 |
| 2P+E | 32 | 3 | | 200-250 | 232-P6B | 2CMA100552R1000 |
| 3P+E | | 4 | | 380-415 | 332-P6B | 2CMA100553R1000 |
| 3P+E+N | | 5 | | 346-415 | 432-P6B | 2CMA100554R1000 |

Connector

| | | | | | | |
|--------|----|---|-------|---------|---------|-----------------|
| 2P+E | 16 | 3 | Black | 200-250 | 216-C6B | 2CMA100561R1000 |
| 3P+E | | 4 | | 380-415 | 316-C6B | 2CMA100562R1000 |
| 3P+E+N | | 5 | | 346-415 | 416-C6B | 2CMA100563R1000 |
| 2P+E | 32 | 3 | | 200-250 | 232-C6B | 2CMA100564R1000 |
| 3P+E | | 4 | | 380-415 | 332-C6B | 2CMA100565R1000 |
| 3P+E+N | | 5 | | 346-415 | 432-C6B | 2CMA100566R1000 |

Socket outlet

| | | | | | | |
|--------|----|---|-------|---------|-----------|-----------------|
| 2P+E | 16 | 3 | Black | 200-250 | 216-RAM6B | 2CMA100543R1000 |
| 3P+E | | 4 | | 380-415 | 316-RAM6B | 2CMA100544R1000 |
| 3P+E+N | | 5 | | 346-415 | 416-RAM6B | 2CMA100545R1000 |
| 2P+E | 32 | 3 | | 200-250 | 232-RAM6B | 2CMA100546R1000 |
| 3P+E | | 4 | | 380-415 | 332-RAM6B | 2CMA100547R1000 |
| 3P+E+N | | 5 | | 346-415 | 432-RAM6B | 2CMA100548R1000 |

Contact us

ABB Ltd

Tower Court
Foleshill Enterprise Park
Courtaulds Way
Coventry CV6 5NX

Tel: 0333 999 9900

Fax: 0333 999 9901

Email: LV.Enquiries@gb.abb.com

Twitter: @ABBUKLP

www.abb.co.uk/lowvoltage

Note: We reserve the right to make technical changes or modify the contents of this document without prior notice. With regard to purchase orders, the agreed particulars shall prevail. ABB Ltd does not accept any responsibility whatsoever for potential errors or possible lack of information in this document.

We reserve all rights in this document and in the subject matter and illustrations contained therein. Any reproduction, disclosure to third parties or utilization of its contents – in whole or in parts – is forbidden without prior written consent of ABB Ltd.

Copyright © 2015 ABB Ltd
All rights reserved