



commercial & industrial
cable management
solutions

Crabtree

Acknowledged as one the leading brands in the UK and in British Standard markets around the world, Crabtree offers designers & specifiers a wide range of quality wiring accessories that caters for a vast array of applications including Commerce, Offices, Education, Hospitals & Health, Hotels & Leisure facilities, in fact wherever quality products are required.

Crabtree factories operate a series of internationally recognized standards including ISO9001 for quality, OHSAS 18001 for Health & Safety and ISO14001 for Environmental Management. The UK production locations are home to the product management, engineering, design, quality & logistics teams.

In the UK Crabtree operates two UKAS accredited Laboratories that carry out R&D and compliance testing on all Crabtree products, these highly accredited facilities ensure that safety quality & reliability remain consistent with UK & EU legislation, regulations & Siemens internal standards, policies and practices.

Crabtree products are all designed manufactured and tested in accordance with the recognised product standards, and backed by standard & extended guarantees.

Crabtree also operates to recognised standards for product safety & sustainability, Crabtree wiring accessories are **ROHS** and **REACH** compliant often in excess of the UK market standards.

Crabtree's **WEEE** compliance system and recycling scheme ensures that the end of product life circumstances are catered for in line with UK & EU Legislation.



Recycled materials are used in product packaging, and declared into a recycling scheme locally to control environmental impacts and assure that the maximum level of recycling of materials and use of recycled materials is achieved.

As a Siemens company Crabtree also operates a zero harm scheme within all of its manufacturing logistics & sales facilities, and is proud to have achieved a 5 star Health & Safety rating.



Contents

COMPAK

COMPACT CABLE MANAGEMENT SOLUTION	2
-----------------------------------	---

MAXPAK

HIGH CABLING CAPACITY	6
-----------------------	---

PART M APPLICATIONS	10
---------------------	----

MEIGaN APPLICATIONS	10
---------------------	----

WHITE MOULDED APPLICATIONS	11
----------------------------	----

DECORATIVE APPLICATIONS	11
-------------------------	----

PRODUCT DIMENSIONS AND CABLE CAPACITIES	12
---	----

DATA CABLE DIAMETERS AND BEND RADIUS	12
--------------------------------------	----

SELECTION CHART	13
-----------------	----

COMPAK

Compact Cable Management Solution



Made in the UK and Europe

COMPAK trunking lengths and accessories are designed, developed and manufactured in the UK and Europe.

Clean aesthetics

The Crabtree COMPAK PVC trunking has a clean unobtrusive design which helps the trunking blend into the building aesthetics.

Fast, easy access

Open design provides full cable support during cable loading for both top and bottom compartments with easy open access and no lids or other components in the way.

Divider option

A PVC divider is available for segregation of the bottom compartment (3 compartment) or for certain installations no separator is required at all (2 compartment).

Cabling capacity

With 30% more cabling capacity than similarly sized data trunking systems, Crabtree COMPAK gives greater flexibility to the specifier / installer when catering for projects with different cabling requirements room by room. No cable capacity reduction at corners.

Perfect alignment with fast and simple installation

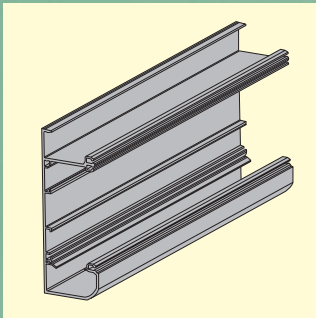
When joining two lengths or corners together perfect alignment is easily and quickly achieved by using the dowel pins supplied.

One-piece clip-on accessories

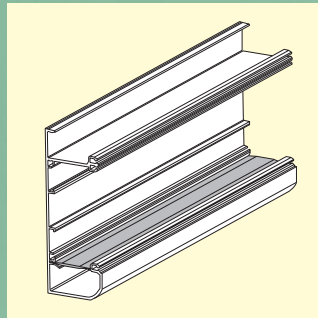
One piece joint covers, corner covers and end caps simply clip into place and are less time consuming to fit than systems that have two or more separate parts.

Standards

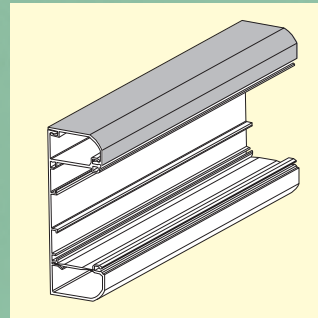
The development of COMPAK has been in accordance with the requirements of BSEN 50085/ BS 6701 & BSEN 50174. The COMPAK trunking fully meets the requirements for Cat 5E, 6, 6A and 7 cables, particularly regarding the minimum bend radius and circuit segregation.



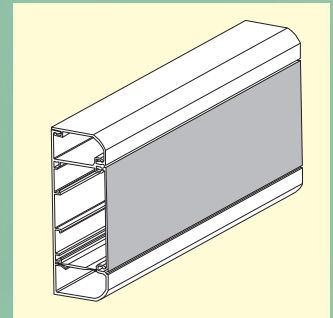
Trunking base



Trunking base + PVC divider



Trunking base + PVC divider + top lid



Trunking base + PVC divider + top lid + main lid

Pre-punched knockouts

Pre-punched knockouts

Pre-punched knockouts on the top shelf give installers quick access to power and data sockets. Simply apply pressure on the knockout and push out without the requirement for time consuming tools to drill holes to put cables through.

Pre-punched base

For speedy installation, the base profile is supplied pre-punched.



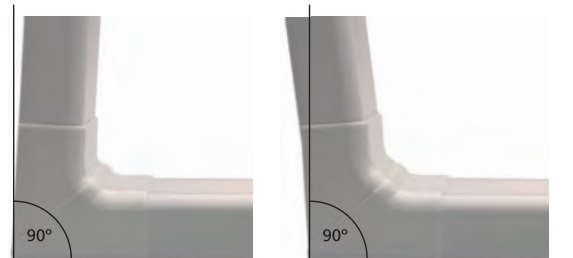
Flexible internal and external corners

Crabtree COMPAK PVC trunking range comes with truly flexible angle corners, both internally and externally.

The injection moulded internal and external corners offer ribbed inside supports. This provides gentle cable support around the corners ensuring cables are smoothly guided around the corner preventing kinking and twisting thus providing a safe and faster installation giving an improved cable performance, with no cable capacity reductions on internal and external bends.

These truly variable angle corners allow for walls which are not 90° true. The inner flexibility of the corner pieces enable both the internal and external corners to flex + or - 5°. The Crabtree flexible corner offers installers a faster and more reliable way to install the cables whilst offering a clean and smooth professional finish.

Internal and external corner inserts also include built in guide pins to provide a more accurate and precise fast alignment of the Crabtree COMPAK trunking.

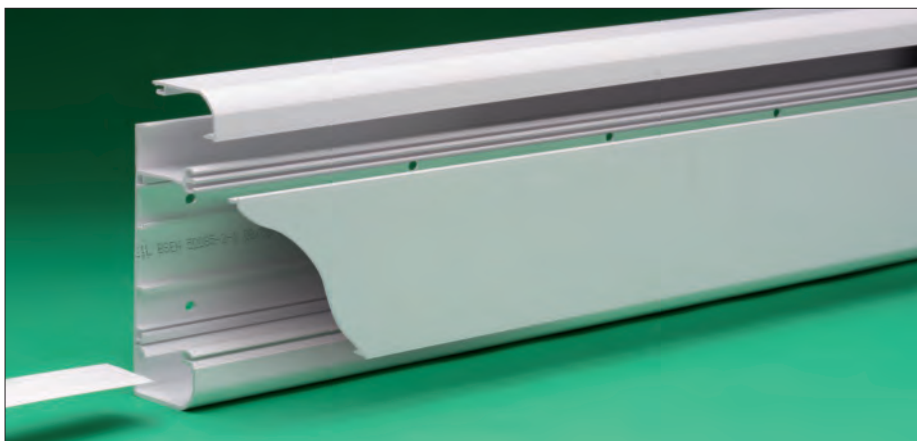


Flat angles and T pieces

The moulded Flat angles and T pieces are robust and professionally finished to provide an excellent appearance to a project.

Again Crabtree COMPAK data's symmetrical design makes life easier for the installer with only one flat angle or T piece to purchase and install rather than different options for up and down.

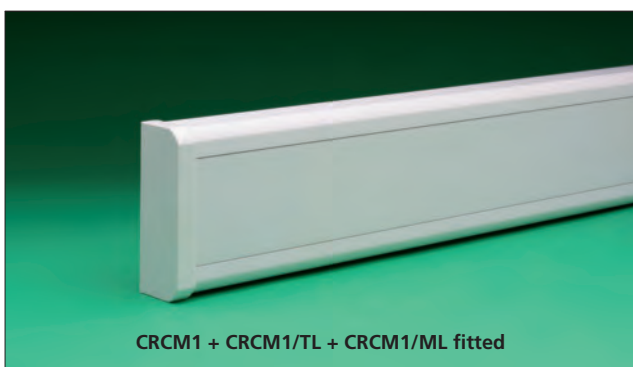




Crabtree COMP/ K power and data trunking, measuring just 140mm x 50mm, is a clean unobtrusive well designed trunking system for fast and simple installation of the latest data categories including CAT 6, 6A and 7.

Cable capacity for top and bottom compartment is 980mm².

Complete with flexible corners and customisable T piece.



CRCM1 + CRCM1/TL + CRCM1/ML fitted

TRUNKING LENGTHS

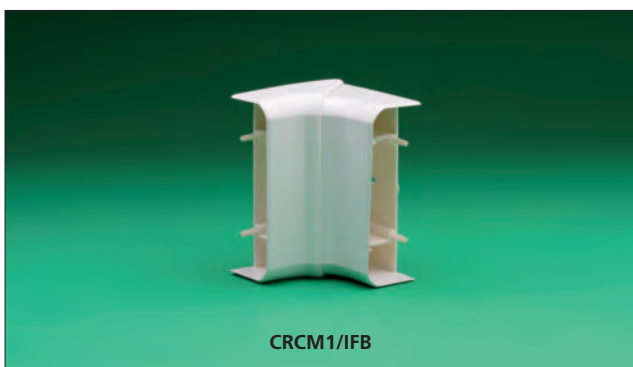
DESCRIPTION	PACK QTY	LIST NO.
Trunking base (3 meter length)	4	CRCM1
Top lid for CRCM1 (3 meter length)	4	CRCM1/TL
Main lid for CRCM1 (3 meter length)	4	CRCM1/ML
Main lid for CRCM1 in grey (3 meter length)	4	CRCM/MLG
PVC divider (1 meter length)	8	CRCM1/DV



CRCM1/EFB

EXTERNAL CORNER

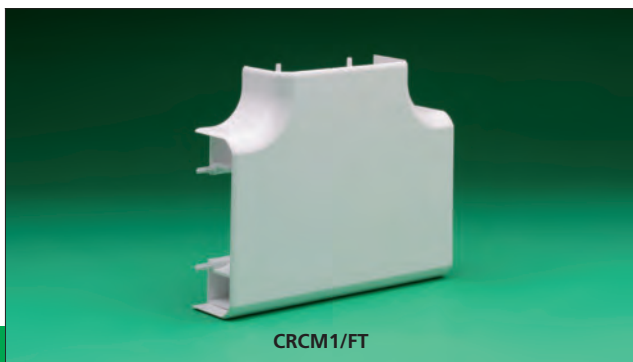
DESCRIPTION	PACK QTY	LIST NO.
External flexible 90° corner	4	CRCM1/EFB



CRCM1/IFB

INTERNAL CORNER

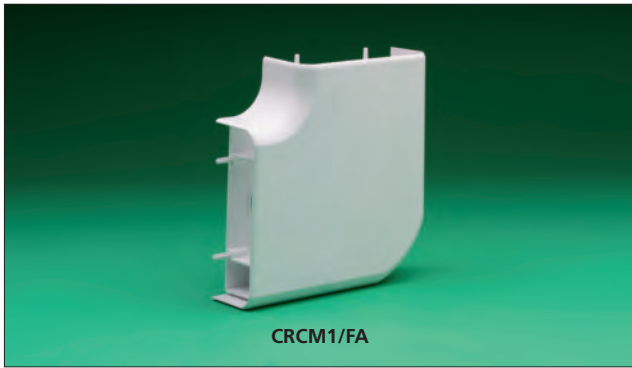
DESCRIPTION	PACK QTY	LIST NO.
Internal flexible 90° corner	4	CRCM1/IFB



CRCM1/FT

T PIECE

DESCRIPTION	PACK QTY	LIST NO.
T piece "UP" and "DOWN"	1	CRCM1/FT



CRCM1/FA

FLAT ANGLE

DESCRIPTION	PACK QTY	LIST NO.
Flat angle "UP" and "DOWN"	1	CRCM1/FA



CRCM/ASGB

CRCM/ADGB

BOXES

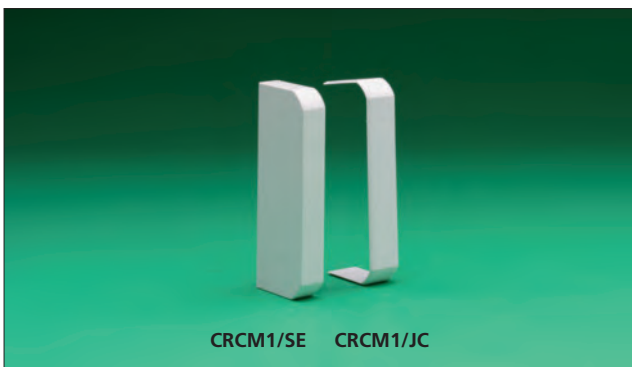
DESCRIPTION	PACK QTY	LIST NO.
Single back box 25mm	20	CRCM/SGB
Double back box 25mm	10	CRCM/TGB
Single adjustable back box 38-50mm	20	CRCM/ASGB
Double adjustable back box 38-50mm	10	CRCM/ADGB



CRCM1/AD

PROFILE ADAPTER

DESCRIPTION	PACK QTY	LIST NO.
Adapter from CRCM1 to CRCM2 profile	1	CRCM1/AD



CRCM1/SE

CRCM1/JC

ACCESSORY FITTINGS

DESCRIPTION	PACK QTY	LIST NO.
Joint cover	5	CRCM1/JC
Stop end	5	CRCM1/SE



CRCM/GM



CRCM1/SR



CRCM/DJ

ACCESSORIES

DESCRIPTION	PACK QTY	LIST NO.
Security rivets	1000	CRCM1/SR
Earth terminal	10	SB/BT
Dowel joining pins	100	CRCM/DJ
Contrasting spacer module	20	CRCM/GM

MAXPAK

High cabling capacity



Made in the UK and Europe

MAXPAK trunking lengths and accessories are designed, developed and manufactured in both the UK and Europe.

Clean aesthetics

The Crabtree MAXPAK PVC trunking has a clean design which helps the trunking blend into the building aesthetics.

Through the use of an adaptor both the Crabtree MAXPAK and COMPAK can be installed together, offering consistent aesthetics

Fast, easy access

Open design with large accessible compartments on both the top and bottom with no lids or other components in the way, cables can be quickly installed on the Permanent cable supports from below without kinking or bending, providing safe and fast installation of cabling

Clip-on accessories

Injection moulded flat angles, T pieces, Internal and External corners enable clean, quick and easy installation, due to the flexible modular system

Cabling capacity

The deepest trunking in its class with a depth of 65mm, enabling better handling of power and data cables. High data cable capacity with 4060mm² cross section area which is over 10% more capacity than nearest competitor. No cable capacity reduction at corners.

Perfect alignment with fast and simple installation

When joining two lengths or corners together perfect alignment is easily and quickly achieved by using the dowell pins provided.

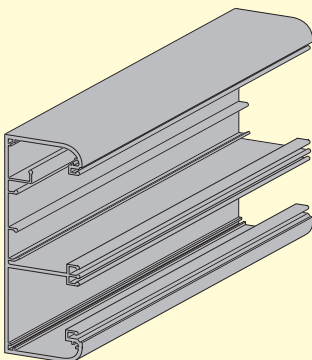
Security rivets

Discreet and effective security rivet fixings, ideal for areas that are open for high public access.

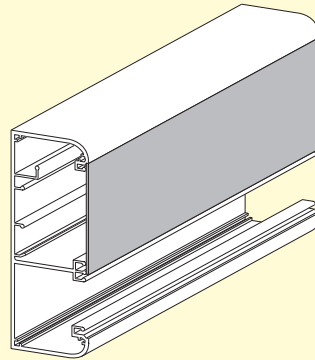
Standards

The development of MAXPAK has been in accordance with the requirements of BSEN 50085/ BS 6701 & BSEN 50174.

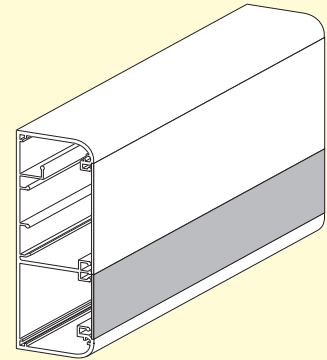
The MAXPAK trunking fully meets the requirements for Cat 5E, 6, 6A and 7 cables, particularly regarding the minimum bend radius and circuit segregation.



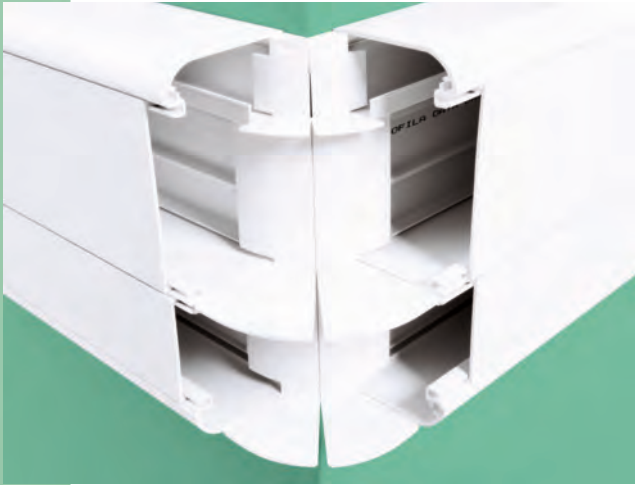
Trunking base



Trunking base + top lid (main lid)



Trunking base + top lid + bottom lid (small lid)



Flexible internal and external corners

Crabtree MAXPAK PVC trunking range comes with truly flexible angle corners, both internally and externally

The Injection moulded internal and External corners offer ribbed inside supports. This provides gentle cable support around the corners ensuring cables are smoothly guided around the corner preventing kinking and twisting thus providing a safe and faster installation giving an improved cable performance, with no cable capacity reduction on internal and external corners.

These truly variable angle corners allow for walls which are not 90° true. The inner flexibility of the bend pieces enable both the internal and external corners to flex + or - 5°. The Crabtree flexible corner offer installers a faster and more reliable way to install the cables whilst offering a clean and smooth professional finish.

Internal and External corner inserts also include built in guide pins to provide a more accurate and precise fast alignment of the Crabtree MAXPAK trunking



Flat angles and T pieces

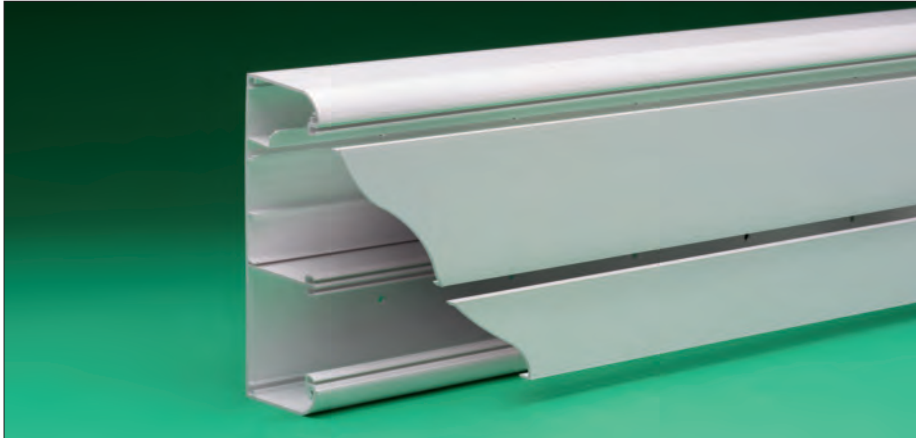
A unique modular system

The nature of asymmetrical trunking profiles implies a prefabricated solution for some fittings such as Flat angles and T pieces, up as well as down. This situation increases the number of products required to complete installations. Most manufacturers offer accessories produced by joining sections of the same trunking cut at 45°.

The result is labour intensive and detracts from the overall look of the finished installation.

Crabtree's revolutionary modular system allows the configuration of the six most common solutions with a limited number of components. These are manufactured in quality polymer materials with Fire Retardant properties.





Crabtree MAXPAK power and data trunking, measuring 180mm x 65mm, is a high cabling capacity trunking system for fast and simple installation of the latest data categories including CAT 6, 6A and 7.

Cable capacity for top compartment is 617mm² and bottom compartment is 4060mm².

Complete with flexible corners, customisable T piece and flat angles.



CRCM2 + CRCM2/CS

TRUNKING LENGTHS

DESCRIPTION	PACK QTY	LIST NO.
Trunking base (3 meter length)	4	CRCM2
Top cover set (Main & small) (3 meter length)	4	CRCM2/CS
Top cover main lid in white (3 meter length)	4	CRCM1/ML
Top cover main lid in grey (3 meter length)	4	CRCM/MLG
Top cover small lid (3 meter length)	4	CRCM2/SL



CRCM2/EFB

EXTERNAL CORNER

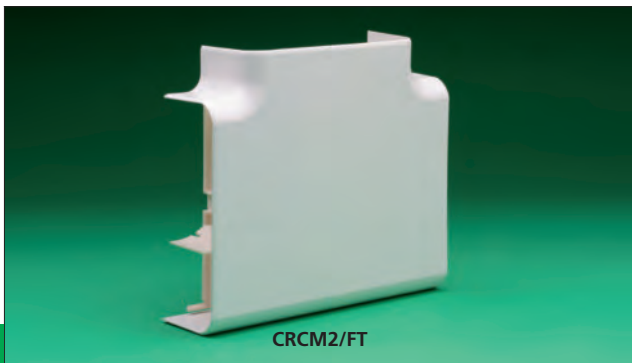
DESCRIPTION	PACK QTY	LIST NO.
External flexible 90° corner	4	CRCM2/EFB



CRCM2/IFB

INTERNAL CORNER

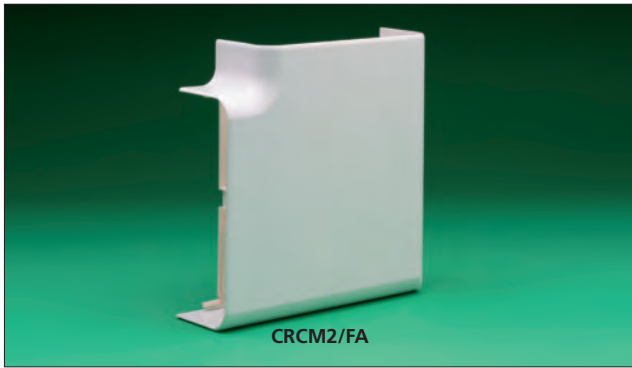
DESCRIPTION	PACK QTY	LIST NO.
Internal flexible 90° corner	4	CRCM2/IFB



CRCM2/FT

T PIECE

DESCRIPTION	PACK QTY	LIST NO.
T piece "UP" and "DOWN"	1	CRCM2/FT



FLAT ANGLE

DESCRIPTION	PACK QTY	LIST NO.
Flat angle "UP" and "DOWN"	1	CRCM2/FA



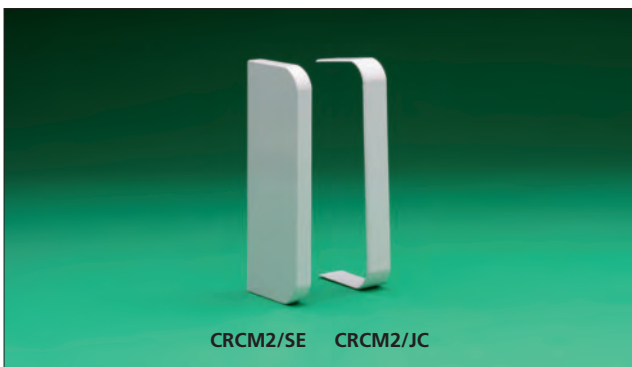
BOXES

DESCRIPTION	PACK QTY	LIST NO.
Single back box 25mm	20	CRCM/SGB
Double back box 25mm	10	CRCM/TGB
Single adjustable back box 38-50mm	20	CRCM/ASGB
Double adjustable back box 38-50mm	10	CRCM/ADGB



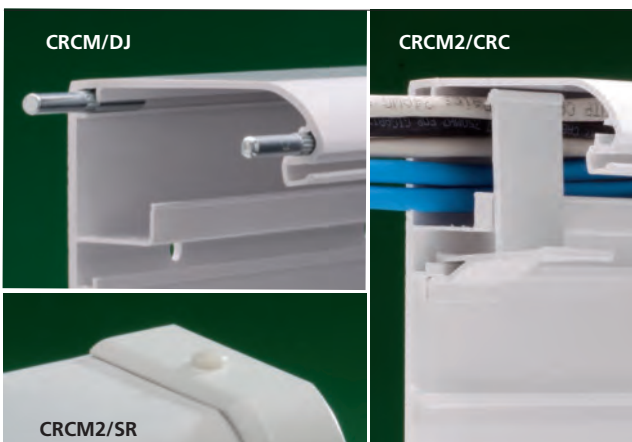
PROFILE ADAPTER

DESCRIPTION	PACK QTY	LIST NO.
Adapter from CRCM1 to CRCM2 profile	1	CRCM1/AD



ACCESSORY FITTINGS

DESCRIPTION	PACK QTY	LIST NO.
Joint cover	5	CRCM2/JC
Stop end	5	CRCM2/SE



ACCESSORIES

DESCRIPTION	PACK QTY	LIST NO.
Security rivets	1000	CRCM2/SR
Cable retainer clip	50	CRCM2/CRC
Earth terminal	10	SB/BT
Dowel joining pins	100	CRCM/DJ
Contrasting spacer main lid cover	20	CRCM/GM

Crabtree PVC Trunking & Wiring Accessory solutions

PART M

Part M can be split into 4 Sections:

Height - Mounting height and position

Visibility - Contrast visually with background

Operation - encouraged to have large unobtrusive rocker

Freedom from obstruction - controls should be well separated or by use of a large rocker.

Crabtree offer a variety of solutions for Part M requirements

- 1- product offering
 - Rockergrid Capital moulded grey front plate
 - Rockergrid Capital metal plate
 - Platinum screwless
 - Platinum metal plate
- 2 - PVC trunking
 - Grey front main cover
- 3 - PVC trunking
 - White front with Grey contrasting module

Images shown on the right show 3 solutions which achieve Part M requirements.

Part M is a consideration that needs to be met when a buildings structure and facilities for people of all abilities whether visiting, working or dwelling in the facility. e.g. Schools, Carehomes, Libraries...

For more information please request or download the Crabtree Part M brochure at www.electrium.co.uk



MEIGaN, clean earth & UPS sockets

MEIGaN

MEIGaN guidance notes state "It is a recommendation that the IPS (Isolated Power Supply) socket shall be switched Double Pole or unswitched, clean earth, colour coded Blue and engraved in white lettering 'MEDICAL EQUIPMENT ONLY'"

Clean Earth

Twin earth terminals on two dedicated individual earth bars

UPS Socket

Uninterruptible Power Supply sockets have a general requirement for the sockets to be RED in colour

Cleaners Socket

1 gang DP switched socket complete with green rocker

The MEIGaN guidance covers electrical wiring and installation up to the terminals of permanently installed medical devices and to the supply outlets in new buildings, refurbished or upgraded rooms

For more information please request or download the Crabtree MEIGaN brochure at www.electrium.co.uk



Note: Not all wiring accessories will be compatible with the PVC trunking e.g. shaver sockets, 45A switches, grid dimmers, Platinum FCUs / 1 gang sockets. For further compatibility information please contact the Crabtree technical department.

PVC Trunking & Wiring Accessory solutions

White Moulded

Capital

A wide selection of power, control, lighting and data accessories are fully design co-ordinated to offer consistent styling and inherent safety features across a broad range of applications

Platinum Low profile (screwless)

Platinum white moulded low profile is the latest addition to the already extensive range of Platinum metal plate wiring accessories. A wide selection of power, control, lighting and data accessories are available in the stylish low profile (screwless) design. Incorporating the Crabtree inherent safety feature across the broad range of wiring applications

All products feature a wide concave rocker which makes operation of the rocker with a positive drive action preventing balancing between the "on" and "off" positions

All products conform to the latest relevant BS standards

For more information please request or download the Crabtree wiring accessory catalogue brochure at www.electrium.co.uk



Decorative

Capital Metal Plate

The Capital range of moulded wiring accessories is complemented by the capital metal plate wiring accessory range. The sophistication of satin chrome and highly polished chrome, the elegance of bronze and polished brass along with the durable stainless steel and polished stainless steel finishes provide a wide choice of stylish options to meet todays market requirement

Platinum

The Platinum range of decorative metal plate is available in a range of high quality metal finishes as either clip-on screwless low profile or screw-fit flat plate

With no compromise between style and function, the Platinum range is slim, stylish and packed with solid Crabtree engineering.

Metal plate finishes available:

Low Profile (screwless): Satin Chrome, Highly Polished Chrome & Polished Brass

Flat Plate: Stainless steel, Polished Stainless Steel & Polished Brass

All products conform to the latest BS standards

For more information please request or download the Crabtree wiring accessory catalogue at www.electrium.co.uk

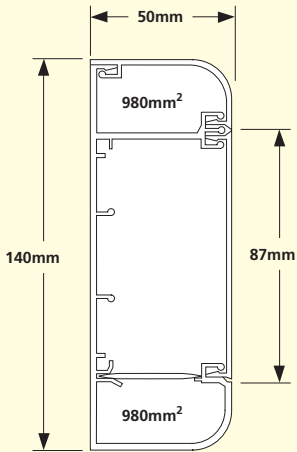
Note: Not all wiring accessories will be compatible with the PVC trunking e.g. shaver sockets, 45A switches, grid dimmers, Platinum FCUs / 1 gang sockets. For further compatibility information please contact the Crabtree technical department.



Product dimensions and cable capacities

COMPAK

DATA CABLE CAPACITY TABLE

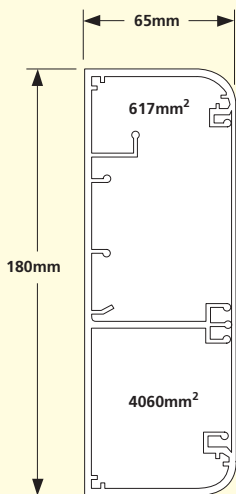


Full cable compartment CSA	Data				Power		
	Typical MULTI-CORE				Typical SINGLE-CORE (PVC insulated)		
	Wiring Regulations BS 7671 45% CSA (441mm²)			IT Cable installation BSEN 50174-1/BS6701	Wiring Regulations BS 7671 45% CSA (441mm²)		
	Cable diameter (mm)	Conductor CSA (mm²)	No. cables	No. cables	Conductor CSA (mm²)	Cable Factor	No. cables
980mm²	5	19.6	22	14	1.5	8.6	50
	5.5	23.8	18	13	2.5	12.6	35
	6	28.3	15	12	4	16.6	26
	6.5	33.2	13	11	6	21.2	20
	7	38.5	11	10			

Product range	Nominal size	Width (mm)	Height (mm)	Cross sectional area (mm²)	Usable (45%) cross sectional area (mm²)	Fixings/M
COMPAK data	140/50	139	50			4
Top				980	441	
Bottom				980	441	

MAXPAK

DATA CABLE CAPACITY TABLE



Maximum recommended cable capacity				
Data			Power	
Cable diameter (mm)	On straight runs	Around fittings	Conductor CSA (mm²)	No. Cables
5.0	79	35	1.5	28
6.0	55	31	2.5	22
7.0	40	26	4.0	14
8.0	31	22	-	-

Product range	Nominal size	Width (mm)	Height (mm)	Cross sectional area (mm²)	Usable (45%) cross sectional area (mm²)	Fixings/M
MAXPAK data	180/65	180	65			4
Top				617	278	
Bottom				4060	1827	

Data cable diameter and bend radius

OUTSIDE DIAMETER

Cable Manufacturer	Maximum Outside Diameter (mm)		
	CAT 5e	CAT 6	CAT 6A
EXCEL	5.2	6.2	9.2
SYSTIMAX	5.1	5.9	7.3
BRAND-REX	5.0	6.5	7.9
ADC-KRONE	5.0	5.5	7.6
CONNECTIX	5.0	6.4	8.0
NEXANS	4.9	6.3	7.0
PANDUIT	4.7	5.7	7.7
MOLEX	5.2	6.5	7.0
BELDEN	5.0	5.3	7.5
SIEMON	5.5	6.3	7.0

MINIMUM BEND RADIUS

Cable Manufacturer	Minimum Bend Radius (mm)		
	CAT 5e	CAT 6	CAT 6A
EXCEL	21	25	40
SYSTIMAX	20	24	29
BRAND-REX	20	26	32
ADC-KRONE	20	22	31
CONNECTIX	20	26	32
NEXANS	20	25	28
PANDUIT	19	23	31
MOLEX	21	26	28
BELDEN	20	21	30
SIEMON	22	25	42

Average Diameter	5.1	6.1	7.6
Average CSA. mm²	20.1	28.8	45.6

Average MBR. mm	20	24	32
-----------------	----	----	----

SELECTION CHART



DESCRIPTION	COMP/K		MAXP/K
	2 COMPARTMENT	3 COMPARTMENT	
Trunking base	CRCM1	CRCM1	CRCM2
Top lid for CRCM1	CRCM1/TL	CRCM1/TL	
Main lid	CRCM1/ML	CRCM1/ML	CRCM1/ML
Main lid in grey	CRCM/MLG	CRCM/MLG	CRCM/MLG
Lid set (main and small)			CRCM2/CS
Small lid			CRCM2/SL
PVC divider		CRCM1/DV	
External flexible 90° corner	CRCM1/EFB	CRCM1/EFB	CRCM2/EFB
Internal flexible 90° corner	CRCM1/IFB	CRCM1/IFB	CRCM2/IFB
T piece "UP" and "DOWN"	CRCM1/FT	CRCM1/FT	CRCM2/FT
Flat angle "UP" and "DOWN"	CRCM1/FA	CRCM1/FA	CRCM2/FA
Adapter from CRCM1 to CRCM2	CRCM1/AD	CRCM1/AD	CRCM1/AD
Joint cover	CRCM1/JC	CRCM1/JC	CRCM2/JC
Stop end	CRCM1/SE	CRCM1/SE	CRCM2/SE
Single back box 25mm	CRCM/SGB	CRCM/SGB	CRCM/SGB
Double back box 25mm	CRCM/TGB	CRCM/TGB	CRCM/TGB
Single adjustable back box 38-50mm	CRCM/ASGB	CRCM/ASGB	CRCM/ASGB
Double adjustable back box 38-50mm	CRCM/ADGB	CRCM/ADGB	CRCM/ADGB
Security rivets	CRCM1/SR	CRCM1/SR	CRCM2/SR
Cable retainer clip			CRCM2/CRC
Earth terminal	SB/BT	SB/BT	SB/BT
Dowel joining pins	CRCM/DJ	CRCM/DJ	CRCM/DJ
Contrasting spacer module	CRCM/GM	CRCM/GM	CRCM/GM



Electrium



ELECTRIUM SALES LIMITED A SIEMENS COMPANY
Commercial Centre, Lakeside Plaza, Walkmill Lane, Bridgtown, Cannock WS11 0XE.
eMail: info@electrium.co.uk Web: www.electrium.co.uk

UK SALES

Telephone: 01543 455010 Facsimile: 01543 455011 eMail: crabtree.sales@electrium.co.uk

TECHNICAL

Telephone: 01543 438310 Facsimile: 01543 438311 eMail: crabtree.technical@electrium.co.uk

EXPORT SALES

Telephone: +44 1543 455049 Facsimile: +44 1543 455048 eMail: export@electrium.co.uk

DUBAI OFFICE

Telephone: +971 4 3660687 Facsimile: +971 4 3660676 eMail: btlv.sales.ae@siemens.com

Although every effort has been made to ensure accuracy in the compilation of the technical detail within this publication, specifications and performance data are constantly changing. Latest details can be obtained from Crabtree.

Publication No. A2145 1/14
Printed in England.