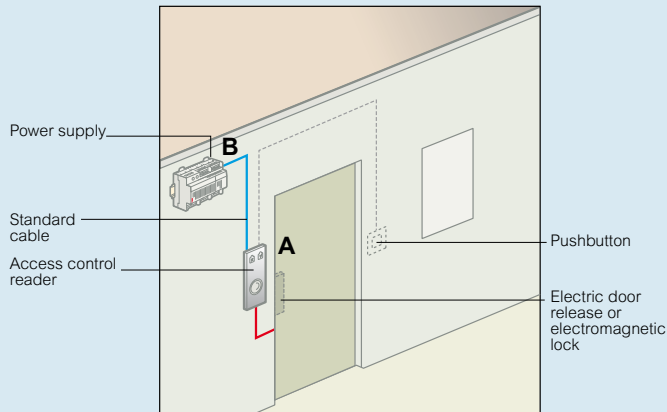
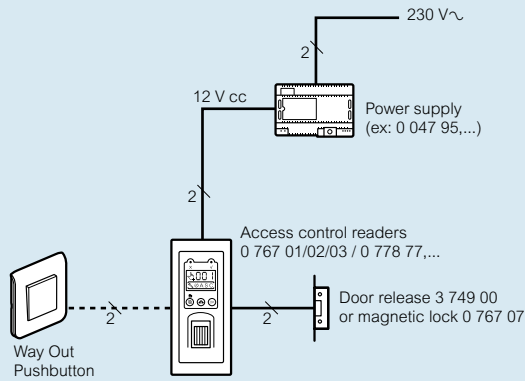


access control stand-alone

■ Installation principle in stand-alone mode



■ Wiring principle



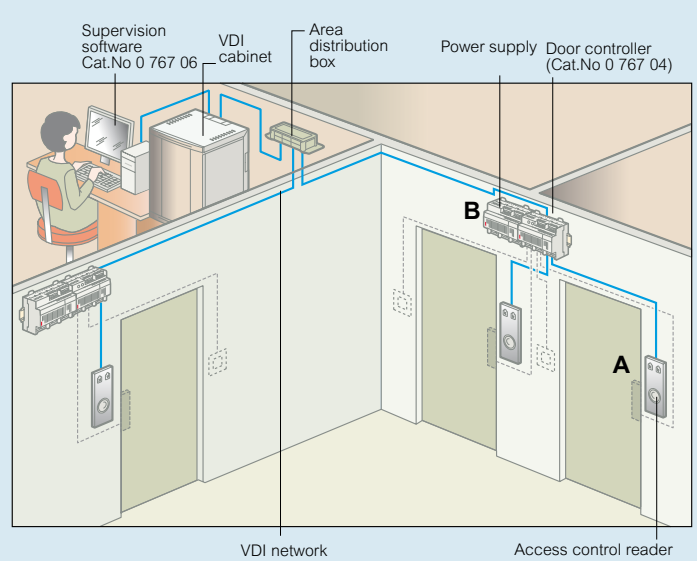
■ Selection guide

		Risk level	Door opening to:	
			Inside	Outside
A	Readers	Coded keypad	0 767 00 /01 5 722 52/5 727 52	0 778 76/78
		Badge reader	0 767 02 5 722 51/5 727 51	0 778 72/77
		Fingerprint reader	0 767 03 5 722 50/5 727 50	tailor made 0 767 30
Closing accessories	Door release (flush mounting)	0 408 95 /96/98		
	Lock (surface-mounting)	0 767 07 /08/09		
B	Power supply		4 131 05 ⁽¹⁾ 0 047 92 ⁽¹⁾	0 767 18 + 0 407 49 ⁽¹⁾

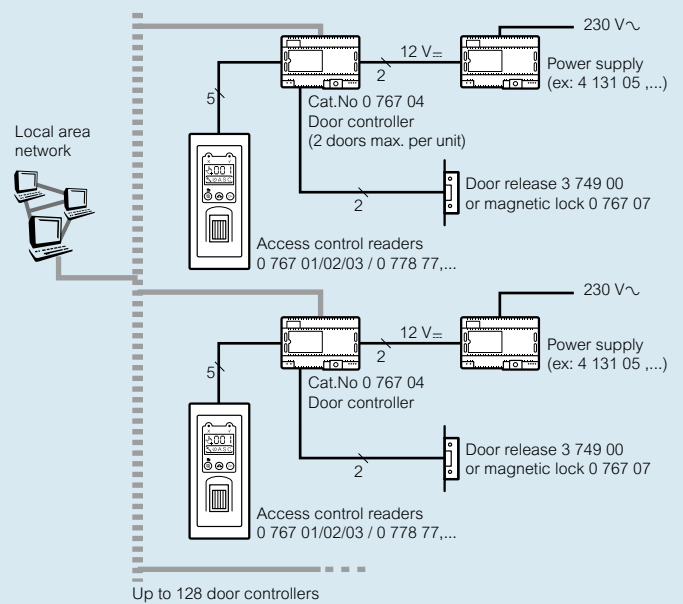
1: The choice of the type of power supply, with or without battery, determines whether the door will open when there is a mains failure

access control centralised

■ Installation principle in centralised mode



■ Wiring principle



■ Selection guide

		Risk level	Door opening to:	
			Inside	Outside
A	Readers	Coded keypad	0 767 01 5 722 52/5 757 52	0 767 17 0 778 73
		Badge reader	0 767 02 5 722 51/5 727 51	0 767 16/32 0 778 77
		Fingerprint reader	0 767 03 5 722 50/5 727 50	tailor made 0 767 30/31
Closing accessories	Door release (flush mounting)	0 408 95 /96/98		
	Lock (surface-mounting)	0 767 07 /08/09		
B	Power supply		4 131 05 ⁽¹⁾ 0 047 92 ⁽¹⁾	0 767 18 + 0 407 49 ⁽¹⁾

1: The choice of the type of power supply, with or without battery, determines whether the door will open when there is a mains failure