

surface mounting cabinets XL³ 125

from 18 to 72 modules

surface mounting cabinets XL³ 160

"ready to use" distribution cabinets

■ Number of connections per neutral and earth terminal block (supplied with enclosure)

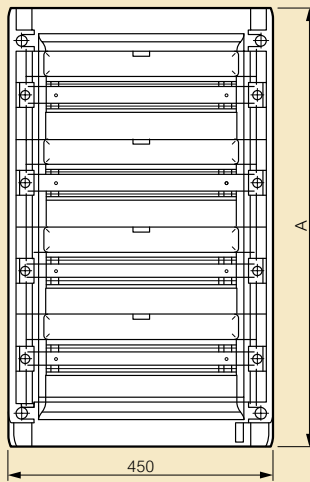
Enclosure Cat.Nos	Neutral terminal blocks Screw connection		Earth terminal blocks Screw connection	
	6 - 25 mm ²	1.5 - 16 mm ²	6 - 25 mm ²	1.5 - 16 mm ²
4 016 76	1	17	1	17
4 016 77	1	21	1	21
4 016 78	1	26	1	26
4 016 79	1	34	1	34

■ Number of blanking plates supplied per enclosure

Enclosure Cat.Nos	Number of blanking plates 5 modules
4 016 76	1
4 016 77	2
4 016 78	3
4 016 79	3

■ Dimensions

Front view



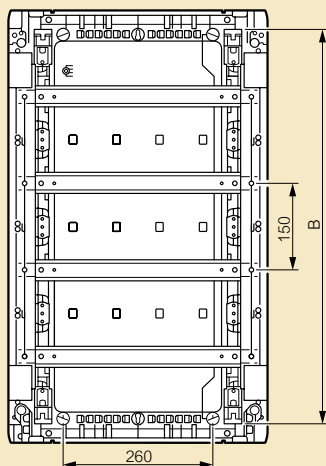
Side view without door



Side view with door

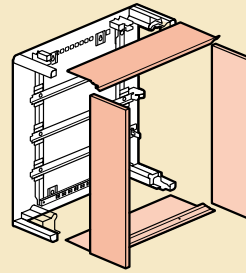


Fixing centres and distance between rails

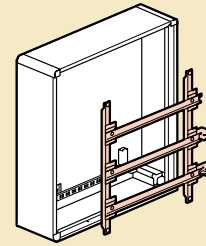


Enclosure Cat.Nos	A (mm)	B (mm)
4 016 76	300	250
4 016 77	450	365
4 016 78	600	515
4 016 79	750	665

■ Installation principle

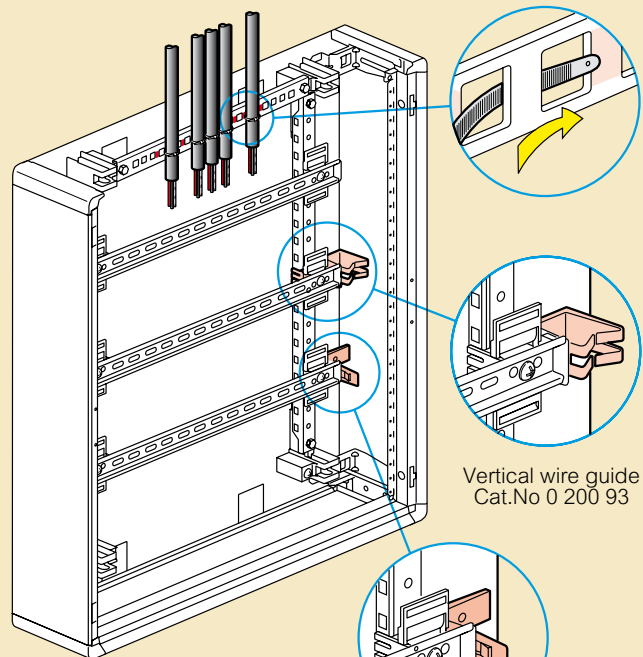


Side panels can be removed separately



Removable chassis

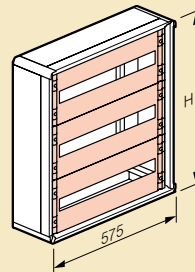
Fixing cables and wiring
Cat.No 0 200 35



Vertical wire guide
Cat.No 0 200 93

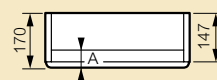
Support for Lina 25 ducting
Cat.No 0 200 70

■ Dimensions

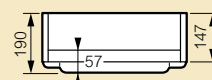


Cat.Nos	H (mm)
0 200 02	450
0 200 03	600
0 200 04	750
0 200 05	900
0 200 06	1050
0 200 45	900
0 200 46	1050
0 200 52	450
0 200 53	600
0 200 54	750
0 200 55	900
0 200 56	1050

With flat door



With curved door (metal)



	A (mm)
Metal	38
Glass	34