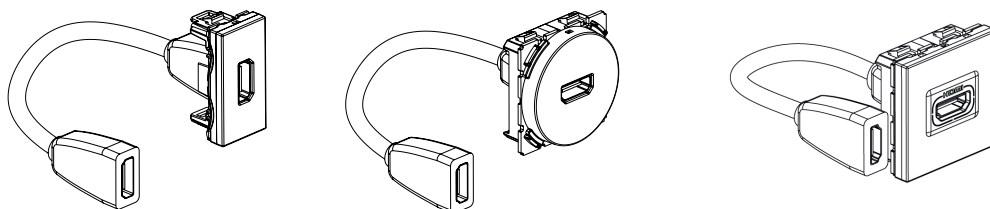


## Arteor™ Preterminated HDMI socket

Cat. No(s): **5 720 96 - 5 724 76 - 5 725 96 - 5 735 96**  
**5 722 99 - 5 725 99**



### 1. USE

HDMI sockets are used to transmit High Definition digital audio/video streams between a source (computer, DVD or Blu-Ray player, etc) and a compatible receiver (TV, video projector, etc).

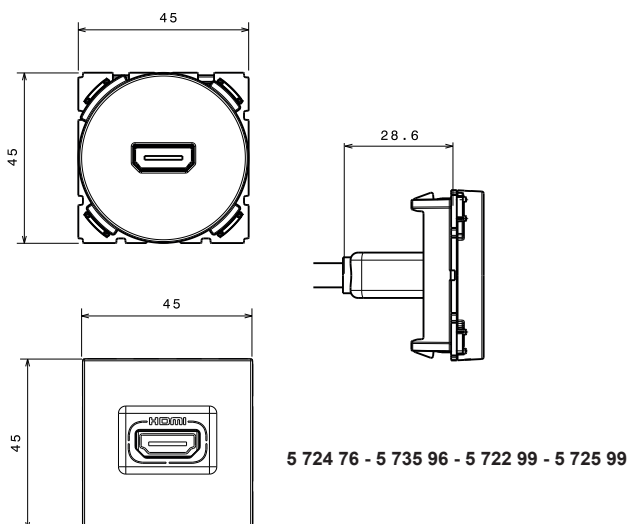
To ensure a high-quality result, the connection between the two devices should not exceed a certain distance (see audio/video characteristics table). For longer connections, it is necessary to provide a booster system in the installation.

The connectors are type A and conform to the HDMI standard. Equipped with a 15 cm cord and 2 female connectors.

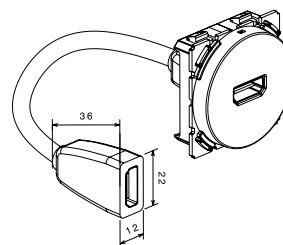
### 2. RANGE

| Description   | Cat. No. | Modules | Fixing method | Connection method |
|---|----------|---------|---------------|-------------------|
| Preterminated HDMI socket<br>White cover plate - round      | 5 724 76 | 2       | Clips         | Plug-in           |
| Preterminated HDMI socket<br>Magnesium cover plate - round  | 5 735 96 | 2       | Clips         | Plug-in           |
| Preterminated HDMI socket<br>White cover plate - square     | 5 722 99 | 2       | Clips         | Plug-in           |
| Preterminated HDMI socket<br>Magnesium cover plate - square | 5 725 99 | 2       | Clips         | Plug-in           |
| Preterminated HDMI socket<br>White cover plate - square     | 5 720 96 | 1       | Clips         | Plug-in           |
| Preterminated HDMI socket<br>Magnesium cover plate - square | 5 725 96 | 1       | Clips         | Plug-in           |

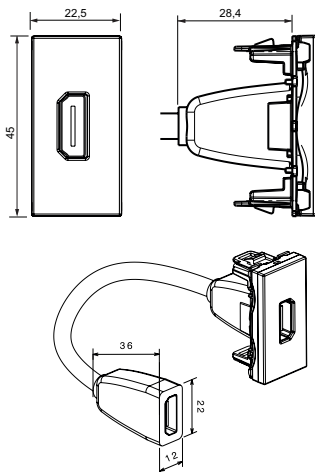
### 3. DIMENSIONS



### 3. DIMENSIONS (continued)



5 720 96 - 5 725 96

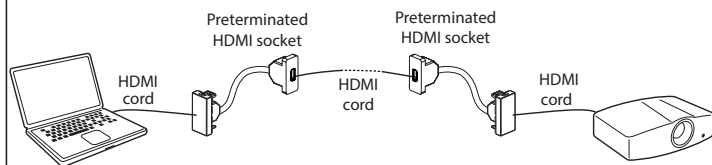


## Preterminated HDMI socket

### 4. TECHNICAL CHARACTERISTICS

#### 4.1 Audio/Video characteristics

Values indicated for an installation set up in accordance with best practice and connected in compliance with existing standards. Any additional accessories and cords should comply with these same criteria.



| HDMI Version 1.4 | Max. resolution in pixels | Mini-HDMI version cable - max. length | Mini-HDMI version cord - max. length | Total max. length of link | Min. depth of box |
|------------------|---------------------------|---------------------------------------|--------------------------------------|---------------------------|-------------------|
| Preterminated    | 1080 P                    | 10 m                                  | 1.5 m                                | 13 m                      | 50 mm             |

#### 4.2 Mechanical characteristics

Impact tests: IK 04

Penetration by solid/liquid matter: IP 40

#### 4.3 Material characteristics

Cover plate: ABS (RAL 9003)

Self-extinguishing: 650°C/30 s

#### 4.4 Climate characteristics

Storage temperature: -10°C to +70°C

Usage temperature: -5°C to +50°C

### 5. CARE

Clean the surface with a cloth.

Do not use acetone, tar-removing cleaning agents or trichloroethylene.

#### 5.1 Resistance to cleaning products

Resistant to the following products: - Hexane (EN 60669-1)

- Methylated spirit
- Soapy water
- Diluted ammonia
- Bleach diluted to 10%
- Window-cleaning products
- Pre-impregnated wipes

#### 5.2 Resistance to hospital-grade cleaning products

Resistant to the following products: - Anios

- Surfanios
- Bactily sine
- Hydrogen peroxide (35% oxygenated water)

**Caution:** Always test before using other special cleaning products.