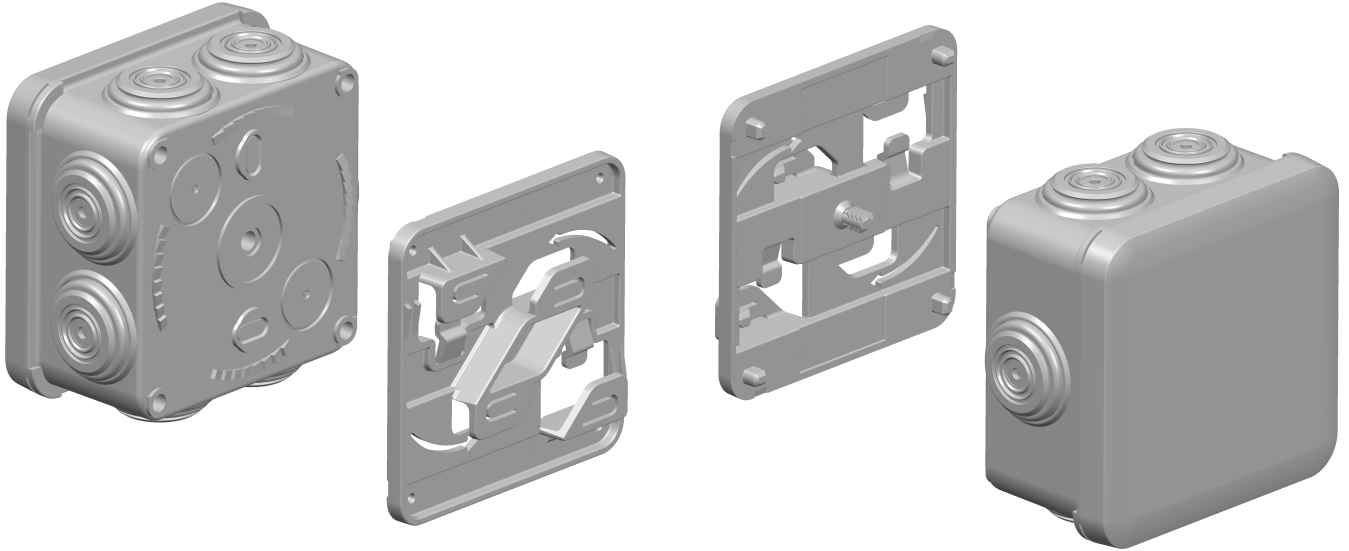


INTERFACE BOITE PLEXO 80 - IBP80
BOITE PLEXO 80x80 mm - BP80
INTERFACE FOR PLEXO BOXES 80 - IBP80
PLEXO BOXES 80x80mm - BP80

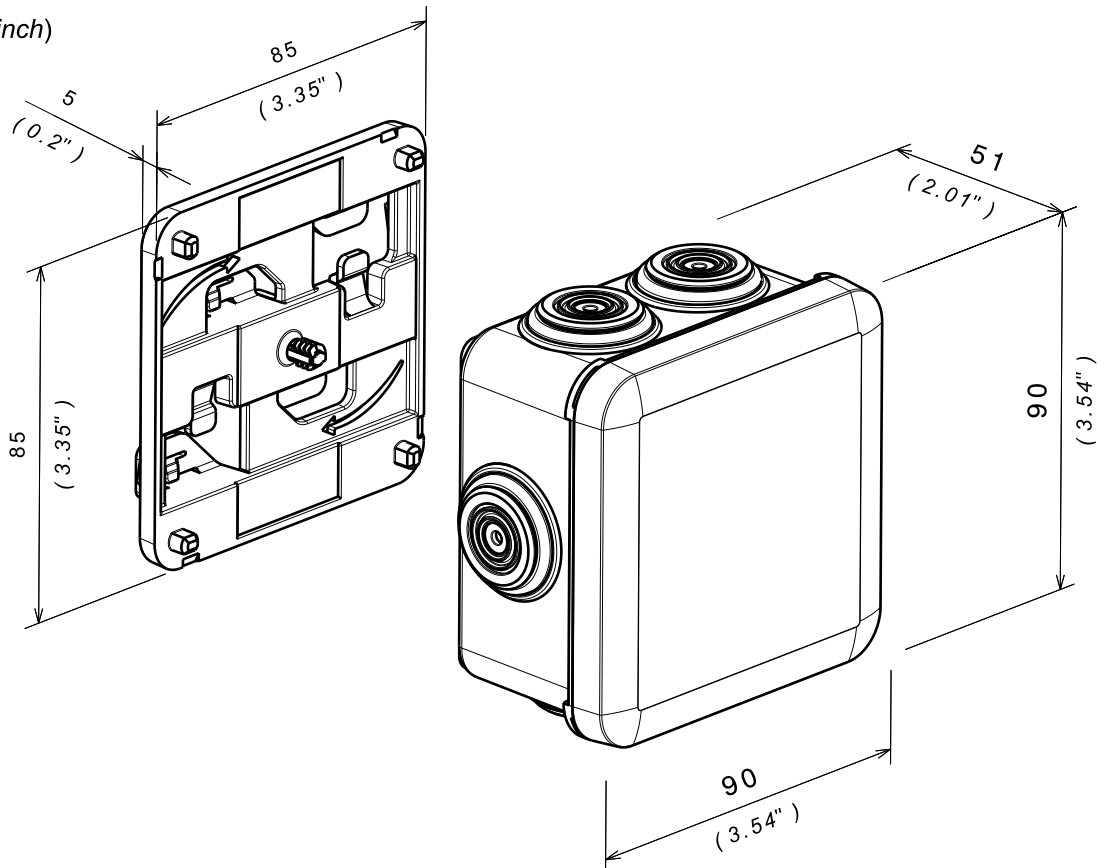
Reference(s) : 091937 - 092012



1. GAMME / RANGE

Designation	Code	Poids / Weight		Matière / Material	RAL	Couleur / Color
		(Kg)	(lb)			
IBP80	091937	0.024	0.053	ABS	7035	GRIS / GREY
BP80	092012	0.074	0.163	PS	7035	GRIS / GREY


2. DIMENSIONS (mm/inch)




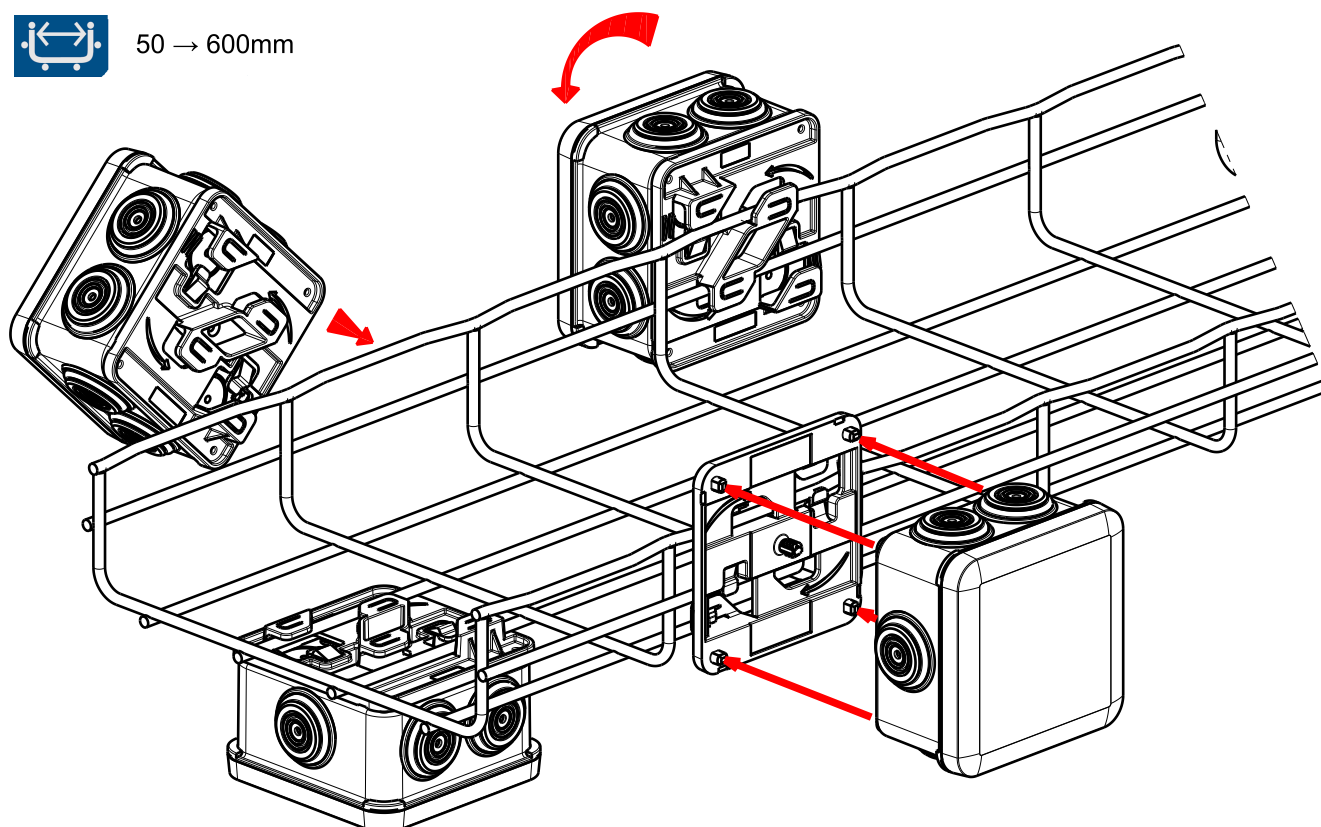
INTERFACE BOITE PLEXO 80 - IBP80
BOITE PLEXO 80x80 mm - BP80
INTERFACE FOR PLEXO BOXES 80 - IBP80
PLEXO BOXES 80x80mm - BP80

Reference(s) : 091937 - 092012


3. INSTALLATION

 CF30 → CF150
ZF31 H25 → 100

 50 → 600mm



 CF54

 50 → 600mm

