

DERIVATION P31 B H75 75 à 600  
Branch P31 75x75 to 600

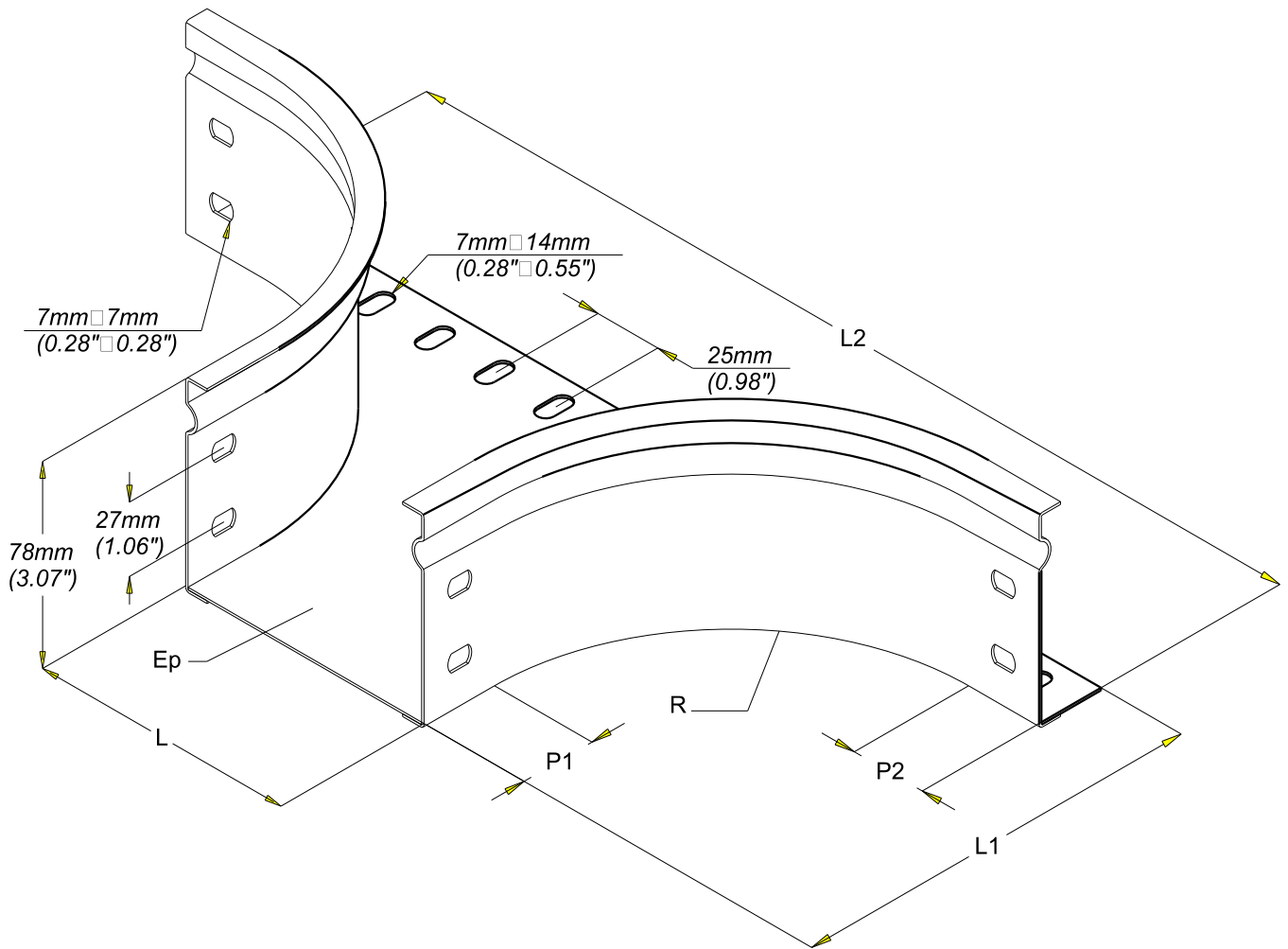
GS  
PG

**CABLOFIL®**

INNOVATORS IN CABLE MANAGEMENT

FT0600-0

10 16



REF	CODE	L /L	Ep /Th	P1 /P1	P2 /P2	R /R	L1 /L1	L2 /L2
		(mm) (inch)	(mm) (inch)	(mm) (inch)	(mm) (inch)	(mm) (inch)	(mm) (inch)	(mm) (inch)
P31 B 75x75	340 139	77 (3.03")	0.8 (0.032")	30 (1.18")	30 (1.18")	99 (3.90")	155 (6.10")	334.5 (13.17")
P31 B 75x100	340 140	100 (3.94")	0.8 (0.032")	30 (1.18")	30 (1.18")	99 (3.90")	155 (6.10")	357.5 (14.07")
P31 B 75x150	340 148	150 (5.91")	0.8 (0.032")	30 (1.18")	30 (1.18")	99 (3.90")	155 (6.10")	407.5 (16.04")
P31 B 75x200	340 149	200 (5.91")	0.8 (0.032")	30 (1.18")	30 (1.18")	99 (3.90")	155 (6.10")	457.5 (18.01")
P31 B 75x300	340 188	300 (7.87")	1 (0.039")	30 (1.18")	30 (1.18")	99 (3.90")	155 (6.10")	557.5 (21.95")
P31 B 75x400	340 198	400 (11.81")	1 (0.039")	51 (2.01")	49 (1.93")	149 (5.87")	226 (8.90")	795.5 (31.32")
P31 B 75x500	340 199	500 (19.69")	1 (0.039")	51 (2.01")	49 (1.93")	149 (5.87")	226 (8.90")	895.5 (35.26")
P31 B 75x600	350 511	600 (23.62")	1 (0.039")	51 (2.01")	49 (1.93")	149 (5.87")	226 (8.90")	995.5 (39.19")

Material	Standard
DX 51 D Z 200 MAC	EN 10 346

Propriété exclusive de CABLOFIL, ne peut être ni copié, ni transmis à des tiers sans autorisation écrite.

Exclusive property of CABLOFIL shouldn't be reproduced or transmitted to any people without written authorization