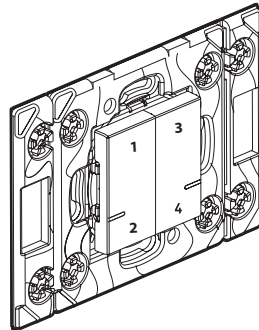


Arteor™ with Netatmo Wireless 4 scenes control

Cat. No(s): 5 743 12/13/14/15



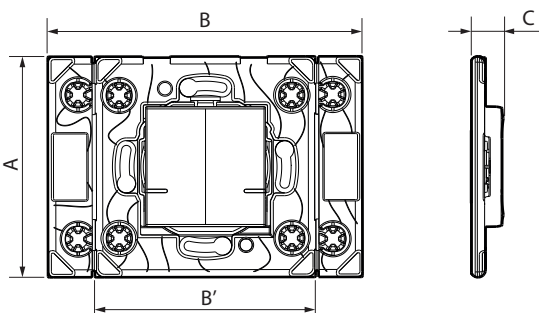
1. USE

Allows control of all connected wired controls (lights, appliances, roller shutters).
 Requires the prior installation of a starter pack for connected installation or a Control module.
 Fixes directly on the wall or screws onto a flush-mounting box. Multi-gang versions can be combined with other wiring accessories.
 Fits on a furniture (movable).

2. RANGE

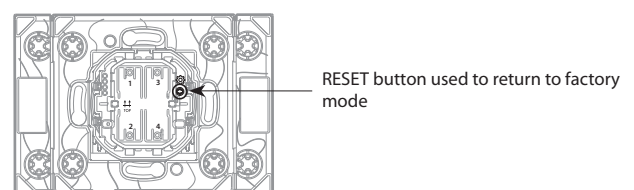
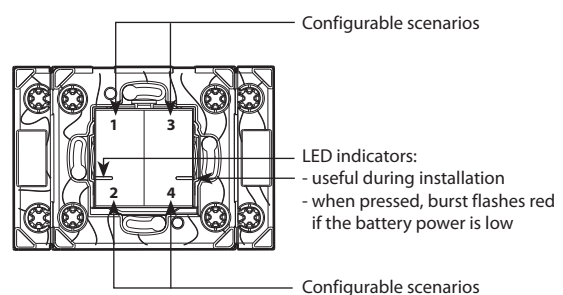
Description	White	Soft Alu	Magnesium	Champagne
Wireless control connected, 4 configurable scenarios. Supplied with secable support frame, rocker plate and a battery. Equipped with an LED indicator (configuration) and a RESET button (hidden) used to return to factory settings. Repositionable self-adhesive fixings (supplied).	5 743 12	5 743 13	5 743 14	5 743 15

3. DIMENSIONS (mm)



A	B	B'	C
82	116.5	82	12

4. OPERATION



5. TECHNICAL CHARACTERISTICS

■ 5.1 Mechanical characteristics

Protection against impacts: IK 02

Protection against solid bodies and/or liquids: IP 20

IP 40 mounted product

■ 5.2 Material characteristics

Rocker plate: ABS

Mechanism casing with grid: Fibreglass-reinforced (10%) PC

Halogen-free

UV-resistant

Self-extinguishing: 650°C/30 s

■ 5.3 Electrical characteristics

Powered by a CR2032 - 3 V lithium battery (supplied)

Battery life: 8 years for 10 activations a day

Frequency bands: 2.4 GHz to 2.4835 GHz

Power level: < 100 mW

■ 5.4 Climate characteristics

Usage temperature: +5°C to +45°C

Storage temperature: 0°C to +45°C

6. CARE

Clean the surface with a cloth.

Do not use acetone, tar-removing cleaning agents or trichloroethylene.

Resistant to the following products: Hexane (EN 60669-1), methylated spirit, soapy water, diluted ammonia, bleach diluted to 10%, window-cleaning products, pre-impregnated wipes.

Caution: Always test before using special cleaning products.

Do not paint the cover plate.



Take care to recycle the battery appropriately.

7. STANDARDS AND APPROVALS

The undersigned, LEGRAND, declares that the radio-electric equipment type (5 743 12/13/14/15) complies with directive 2014/53/EU.

The full text of the EU declaration of conformity is available on the following website: www.legrandoc.com

Compliant with installation and manufacturing standards.

See e.catalogue.