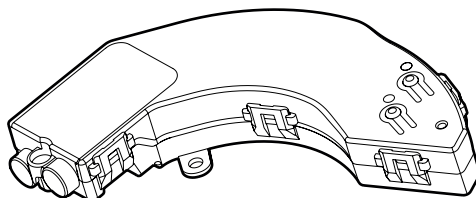


## Connected micromodule for roller shutter

Cat. No(s): 0 676 97



### 1. USE

Connected micromodule for local or remote control of a roller shutters.  
 Can be combined with one or more wireless roller shutter controls.  
 Compatible with roller shutters with a mechanical or electronical stop.

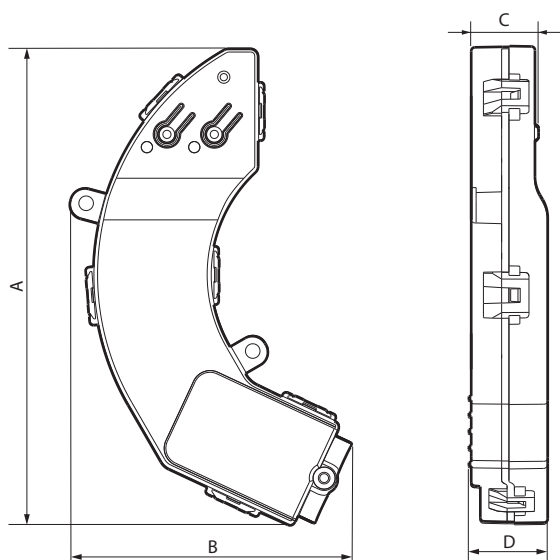
**Caution:** Must be connected to the neutral.

Not compatible with radio-controlled roller shutter motors.  
 Installs with screws in the attic or in the box of the shutter.

### 2. RANGE

Description	Cat. No.
Connected micromodule for roller shutter. Equipped with an LED indicator (configuration) and a RESET button used to return to factory settings.	0 676 97

### 3. DIMENSIONS (mm)



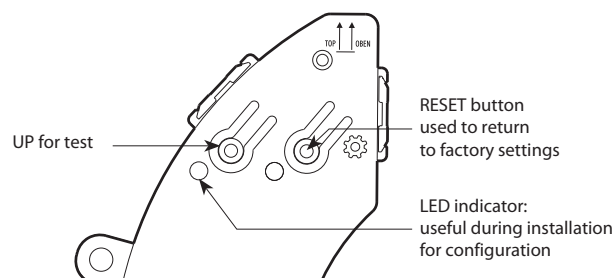
A	B	C	D
131	77	18.5	21.5

### 4. CONNECTION

Type of terminals: with screws  
 Terminals capacity: 1 x 2.5 mm<sup>2</sup> - 2 x 1.5 mm<sup>2</sup>  
 Stripping length: 8 mm  
 Screwdriver: 3 mm flat blade

### 5. OPERATION

Integrated time delay for up/down inversion = 500 ms



### 6. TECHNICAL CHARACTERISTICS

#### ■ 6.1 Mechanical characteristics

Protection against impacts: IK 04  
 Protection against solid/bodies and liquids: IP 44

#### ■ 6.2 Material characteristics

PC: Grey RAL 7035  
 Halogen free  
 Self-extinguishing:  
 850°C/30 s for insulating parts holding live parts in place.  
 650°C/30 s for the other insulating components.

#### ■ 6.3 Electrical characteristics

Frequency bands: 2.4 GHz to 2.4835 GHz  
 Power level: < 100 mW  
 Standby consumption: 1,3 mA  
 Voltage: 100/240 V~  
 Current: 2 A  
 Roller shutter motor: 240 Vac max. → 1 x 500 VA  
 100 Vac max. → 1 x 270 VA

#### ■ 6.4 Climate characteristics

Usage temperature: - 5°C to + 50°C  
 Storage temperature: - 10°C to + 70°C

### 7. CARE

Clean the surface with a cloth.  
Do not use acetone, tar-removing cleaning agents or trichloroethylene.

**Caution:** Always test before using special cleaning products.

### 8. STANDARDS AND APPROVALS

Compliant with installation and manufacturing standards.  
See e-catalogue.

The undersigned, LEGRAND, declares that the radio-electric equipment type (0 676 97) complies with directive 2014/53/EU.

The full text of the EU declaration of conformity is available on the following website: [www.legrandoc.com](http://www.legrandoc.com)