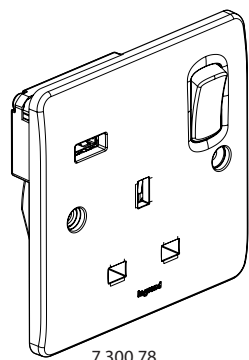
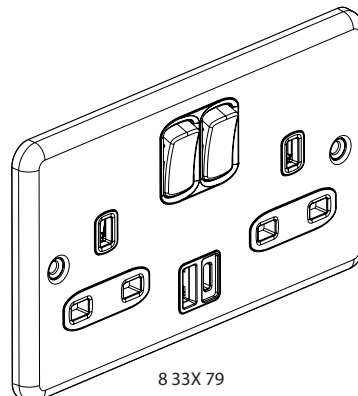


**Synergy™**  
**British standard socket outlets**  
**USB Type-A - Type-C charger**

**Cat. No(s): 7 300 78/79 - 8 320 78/79**  
**8 322 78/79 - 8 324 78/79 - 8 330 78/79**  
**8 332 78/79 - 8 334 78/79**



7 300 78



8 33X 79

**1. USE**

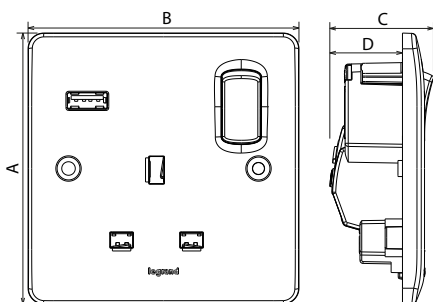
For recharging portable devices such as phones, smartphones, tablets, MP3 or MP4 players, loudspeakers, watches, game consoles, powerbanks.  
 Delivered complete  
 Shuttered for child safety.

**2. RANGE**

| Description  | White    | Sleek Design |          |          | Authentic |          |          |
|--|----------|--------------|----------|----------|-----------|----------|----------|
|  |          | B.S.S*       | P.S.S.** | G.G.***  | B.S.S*    | P.S.S.** | G.G.***  |
| <b>2P+E 1 gang switched + 1 USB Type-A</b><br>(1 output Type-A)                                      | 7 300 78 | 8 320 78     | 8 322 78 | 8 324 78 | 8 330 78  | 8 332 78 | 8 334 78 |
| <b>2 x 2P+E 2 gang switched + 1 USB Type-A + 1 USB Type-C</b><br>(1 output Type-A - 1 output Type-C) | 7 300 79 | 8 320 79     | 8 322 79 | 8 324 79 | 8 330 79  | 8 332 79 | 8 334 79 |

\* B.S.S. : Brushed Stainless Steel  
 \*\* P.S.S. : Polished Stainless Steel  
 \*\*\* G.G. : Glossy Gold

**3. DIMENSIONS (mm)**



| References | A  | B   | C    | D  |
|------------|----|-----|------|----|
| 7 300 78   | 86 | 86  | 34   | 23 |
| 7 300 79   | 86 | 146 | 31   | 21 |
| 8 32X 78   | 86 | 86  | 33.6 | 26 |
| 8 33X 78   | 86 | 86  | 33.6 | 23 |
| 8 32X 79   | 86 | 146 | 31.3 | 21 |
| 8 33X 79   | 86 | 146 | 31.3 | 21 |

**4. CONNECTION**

Type of terminals: with screws  
 Terminal capacity: 4 x 2.5 mm<sup>2</sup> - 3 x 4 mm<sup>2</sup> - 2 x 6 mm<sup>2</sup>  
 Stripping length: 12 mm

## 5. TECHNICAL CHARACTERISTICS

### ■ 5.1 Mechanical characteristics

Impact tests: IK 04

Penetration by solid bodies/liquid: IP 02

### ■ 5.2 Material characteristics

Base: PP

Support frame: PC

Cover-plate - 7 300 7X : Thermodur

- 8 3XX 7X : Metal

Self-extinguishing:

+ 850° C / 30 s for insulating parts holding live parts in place.

+ 650° C / 30 s for other parts made of insulating materials.

### ■ 5.3 Climatic characteristics

Storage temperature: - 20° C to + 70° C

Operating temperature: 0° C to + 45° C

### ■ 5.4 Electrical characteristics

Voltage: 250 V~

Current: 13 A

Frequency: 50/60 Hz

All values listed below are measured at an ambient temperature of + 25° and after 15 minutes of operation.

| Type  | 1 USB            | 2 USB |
|---|------------------|-------|
| Nominal input voltage   | 220 - 250 V~     |       |
| Nominal input frequency                                       | 50-60 Hz         |       |
| Power consumption   | 12 W             | 15 W  |
| Maximum input current   | 300 mA           |       |
| Maximum power consumption in standby                          | 0.075 W          |       |
| Power average efficiency                                      | 80.3 %           |       |
| Nominal output voltage  | 5 V=             |       |
| Maximum output current  | 2.4 A            | 3 A*  |
| No-load consumption and average energy efficiency: Level VI** |                  |       |
| Protection class  | II - Low voltage |       |

\* **Note** : shared on A and C output

\*\***Note** : European Regulation No. 278/2009 of 6 April 2009, Directive 2005/32/EC on eco-design requirements for AC/DC power supplies.

**Note** : To optimize the charging time of your device, ensure to turn it off during the charging phase.

## 6. CLEANING

Surface cleaning with a cloth.

Do not use: acetone, tar remover, trichlorethylene.

**Caution:** A preliminary test should be carried out if other specific cleaning products are to be used.

## 7. STANDARDS AND APPROVALS

Compliance with installation and manufacturing standards.

Refer to e-catalogue.