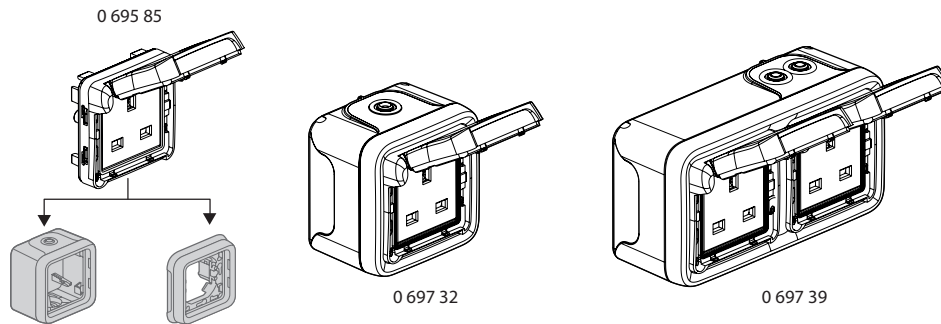


**Plexo™**  
**2 P+E socket outlets - British Standard**

Cat. No(s): 0 695 85 - 0 697 32/39

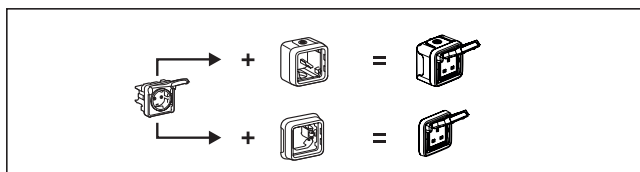


**1. USE**

2 P+E socket outlets with shutters.  
 Waterproof electrical equipment for residential and professional technical installations (garages, cellars, car parks, workshops, industrial kitchens, etc.) and outdoor environments (terraces, gardens, camp sites, etc.).

**2. RANGE**

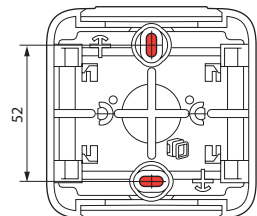
version : grey	References
<b>Configurable</b>	0 695 85
<b>Surface-mounting complete</b>	0 697 32 0 697 39



**3. INSTALLATION**

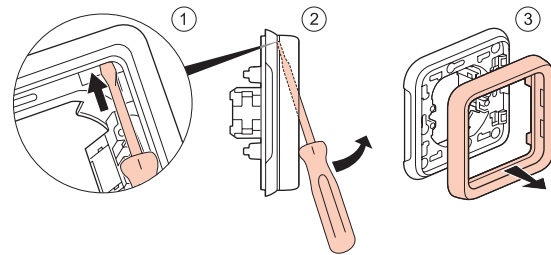
**3.1 Surface mounting**

- Back body is mounted on the support using two screws, max. Ø 3 to 4 mm.

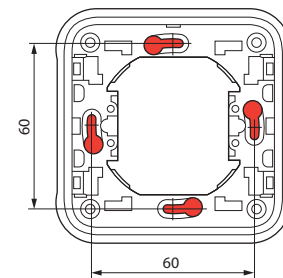


**3.2 Flush mounting (continued)**

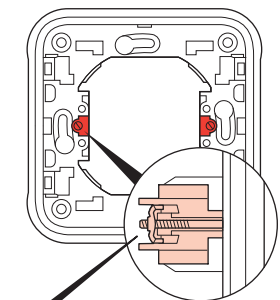
**3.2 Flush mounting**  
 - Frame dismantling



- By screwing onto a flush-mounting box



- By claws onto a flush-mounting box

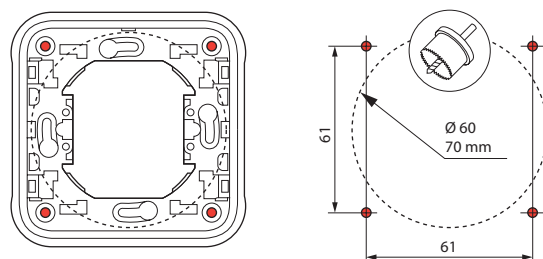


Possibility to place claws:  
 Cat. No. 0 849 00 or Cat. No. 0 849 01 (long claw)

- Screw-mounted in flush-mounting box.

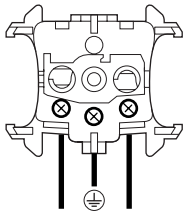
- Mounting on base plate using 4 screws, Ø 4 mm.

Opening cut in base-plate, Ø 60 - 70 mm using a circular saw or a punch



#### 4. CONNECTION

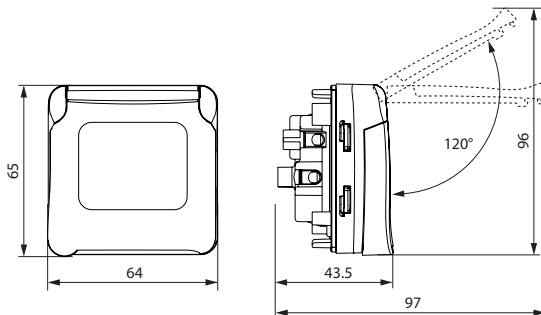
##### ■ Connection to conductors



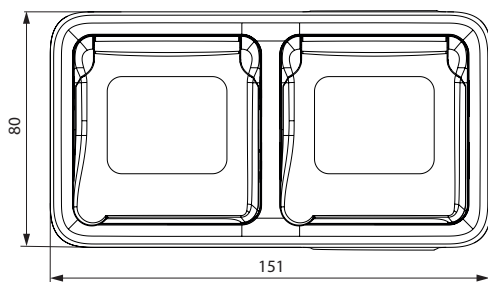
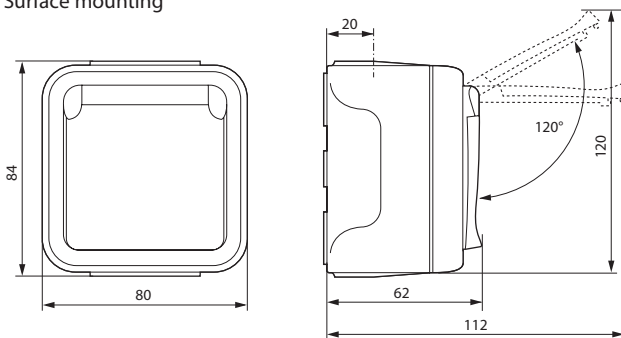
Type of terminals: with screws  
 Terminal capacity: 2 x 4 mm<sup>2</sup>.  
 Screwdriver required: flat blade 2 to 4 mm.  
 Stripping length: 9 mm.

#### 5. DIMENSIONS (mm)

Composable



Surface mounting



Flush-mounting

#### 6. GENERAL CHARACTERISTICS

##### ■ 6.1 Protection index (shutter closed)

Protection against solid bodies and liquids: IP 55  
 Protection against impact: IK 07

##### ■ 6.2 Material characteristics

Box, support: PP (filled Polypropylene)  
 Plate, flap: ABS  
 Entry gland: PP + SEBS  
 Mechanism: PC

#### 6. GENERAL CHARACTERISTICS (continued)

UV resistant.  
 Resistance to salt spray: 7 days (168 h)

Self-extinguishing:  
 + 850°C / 30 s for insulating components holding in place live parts.  
 + 650°C / 30 s for the other insulating components.

##### ■ 6.3 Electrical characteristics

Current: 13 A  
 Voltage: 250 V~  
 Frequency: 50 Hz

##### ■ 6.4 Climatic characteristics

Storage temperature: - 25° C to +70° C  
 Use temperature: - 25° C to + 40° C

#### 7. CLEANING

Surfaces may be cleaned using a cloth, either dry or with soapy water.  
 Do not use acetone, spirits or trichloroethylene.

**Caution:** Conduct preliminary tests before using any specific cleaning product.

#### 8. COMPLIANCES AND APPROVALS

Compliance with standards of installation and manufacturing.  
 Refer to e.catalogue.