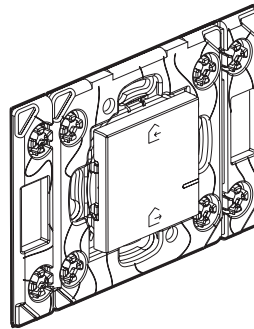


# Arteor™ Connected Home/Away wireless general control

Cat. Nos: 5 742 06/15/24/33



## 1. USE

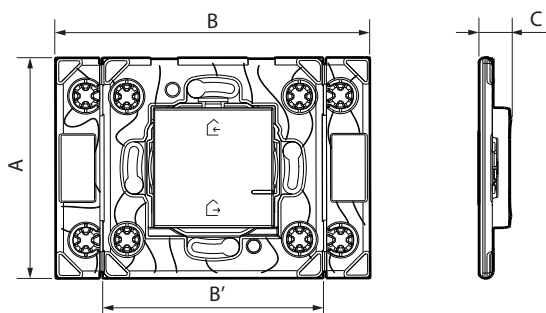
Wireless general control, used to control leaving home/coming home scenes involving lights, roller shutters and connected sockets.

- Fixes directly on the wall or screws onto a flush-mounting box.
- Fits on a piece of furniture (movable).

## 2. RANGE

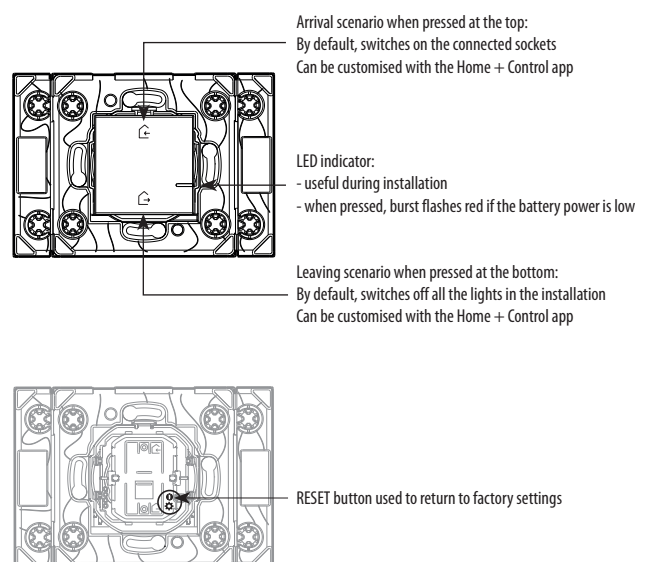
Description	White	Champagne	Magnesium	Soft Alu
Additional wireless general control: Supplied with secable support frame, rocker plate and a battery. Equipped with an LED indicator (configuration) and a RESET button (hidden) used to return to factory settings. Repositionable self-adhesive fixings (supplied).	5 742 06	5 742 33	5 742 24	5 742 15

## 3. DIMENSIONS (mm)



A	B	B'	C
82	116.5	82	12

## 4. OPERATION



## 5. TECHNICAL CHARACTERISTICS

### ■ 5.1 Mechanical characteristics

Protection against impacts: IK 02

Protection against solid bodies and/or liquids: IP 20

IP 40 mounted product

### ■ 5.2 Material characteristics

Rocker plate: ABS

Mechanism casing with grid: Fibreglass-reinforced (10%) PC

Halogen-free

UV resistant

Self-extinguishing: 650° C / 30 s

### ■ 5.3 Electrical characteristics

Powered by a CR2032 - 3 V lithium battery (supplied)

Battery life: 8 years for 10 activations a day

**ZigBee radio technology** frequency: 2.4 GHz to 2.4835 GHz

Wireless mesh network, self-adaptive and secure (AES 128), conforming

to standard IEEE 802.15.4 (LR-WPAN)

Power level: < 100 mW

### ■ 5.4 Climate characteristics

Storage temperature: 0° C to + 45° C

Usage temperature: +5° C to + 45° C

## 6. CARE

Clean the surface with a cloth.

Do not use acetone, tar-removing cleaning agents or trichloroethylene.

Resistant to the following products: Hexane (EN 60669-1), methylated spirit, soapy water, diluted ammonia, bleach diluted to 10%, window-cleaning products, pre-impregnated wipes.

**Caution:** Always test before using special cleaning products.



Take care to recycle the battery appropriately.

## 7. STANDARDS AND APPROVALS

The undersigned, LEGRAND, declares that the radio-electric equipment type (5 742 06/15/24/33) complies with directive 2014/53/EU.

The full text of the EU declaration of conformity is available on the following website: [www.legrandoc.com](http://www.legrandoc.com)