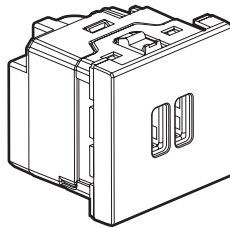
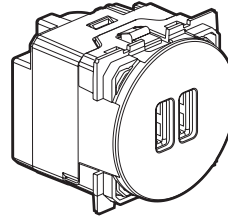


Arteor™ USB universal charger - 2.4 A

Cat. no(s): 5 720 78 - 5 724 88 - 5 725 78 - 5 733 98



5 720 78 - 5 725 78



5 724 88 - 5 733 98

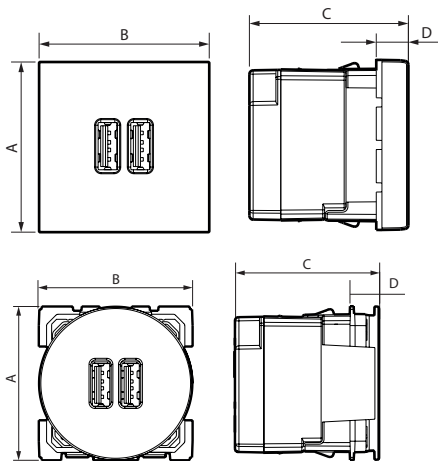
1. USE

For recharging portable devices such as phones, smartphones, tablets, MP3 or MP4 players, loudspeakers, watches, game consoles, powerbanks.

2. RANGE

Designation	White	Magnesium
Double USB socket - 5 V \pm - 2.4 A Square	5 720 78	5 725 78
Double USB socket - 5 V \pm - 2.4 A Round	5 724 88	5 733 98

3. DIMENSIONS (mm)



A	B	C	D
45	45	42	8.5

4. CONNECTION

Type of terminals: with screws
 Terminal capacity: 2 x 2.5 mm²
 Stripping length: 6 mm
 Screwdriver: flat 3.5 mm

5. TECHNICAL CHARACTERISTICS

■ 5.1 Mechanical characteristics

Impact tests: IK 04
 Penetration by solid bodies/liquid: IP 40

■ 5.2 Material characteristics

Base: PC
 Cover-plate: PC
 Self-extinguishing:
 + 850° C / 30 s for insulating parts holding live parts in place.
 + 650° C / 30 s for other parts made of insulating materials.

■ 5.3 Climatic characteristics

Storage temperature: - 20° C to + 70° C
 Operating temperature: 0° C to + 45° C

■ 5.4 Electrical characteristics

All values listed below are measured at an ambient temperature of + 25° and after 15 minutes of operation.

Nominal input voltage	100 - 240 V~
Nominal input frequency	50-60 Hz
Maximum input current	300 mA
Maximum power consumption in standby	0.1 W
Power average efficiency	81 %
Nominal output voltage	5 V \pm
Maximum output current	2.4 A
No-load power consumption class and average efficiency level: level VI*	
Safety-standard	EN60950-1
Protection class	II - Low voltage

*NB: European Regulation No. 278/2009 of 6 April 2009, Directive 2005/32/EC on eco-design requirements for AC/DC power supplies

■ 5.5 Average charging time for devices equipped with lithium ion polymer batteries:

- 80 % charged < 1 h 15
- 100 % charged < 2 h 00

5. TECHNICAL CHARACTERISTICS *(continued)*

■ 5.6 Charge time for a smartphone with 2.4 A charger plug:

Manufacturer brand	Smartphone model	Charge time to 100 %
Samsung	Galaxy S6	1 h 43
Nokia	Lumia 735	2 h 11
Nokia	Lumia 930	2 h 11
Google	Nexus 6	3 h 02
Google	Nexus 7	2 h 58

**Data valid as at 1 March 2016.*

Note: To optimize the charging time of your device, ensure turn it off during the charging phase.

6. CLEANING

Surface cleaning with a cloth.

Do not use: acetone, tar remover, trichlorethylene.

Caution: A preliminary test should be carried out if specific cleaning products are to be used.

7. STANDARDS AND APPROVALS

Compliance with installation and manufacturing standards.
Refer to e-catalogue.