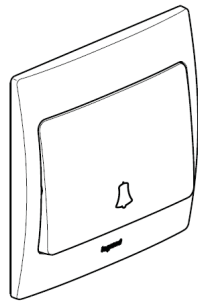


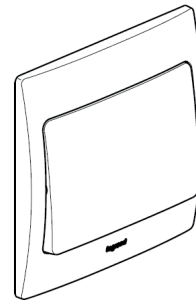
Mallia™

10 A Push-buttons complete white

Cat. No(s): 2 810 40/41



2 810 40



2 810 41

1. USE

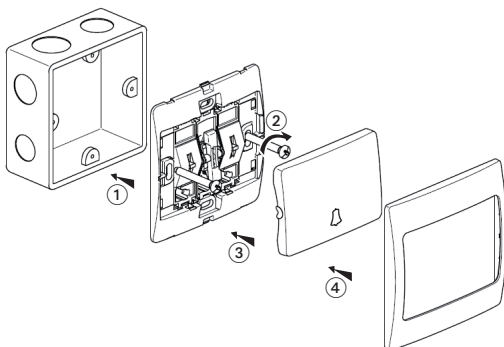
General lighting control mechanisms with or without marking elements (indicator, label holder).

2. RANGE

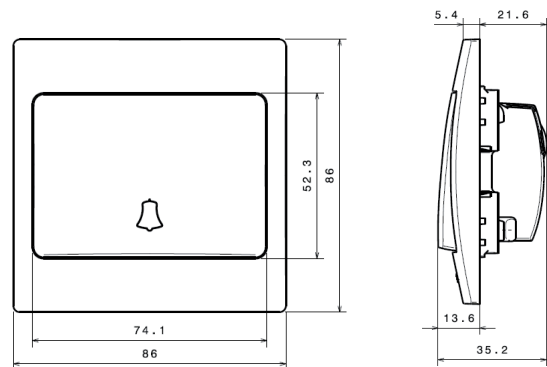
	Designation	Cat. No.	Weight (g)	Characteristics
	Push-button N/O contact with bell symbol	2 810 40	56	10 A 250 V~
	Push-button N/O contact	2 810 41	56	10 A 250 V~

Note: N/O contact means normal open and push to make.

3. PREPARATION



4. OVERALL DIMENSIONS



Profile size: 86 x 86
 Distance of installation hole: 60.3 mm

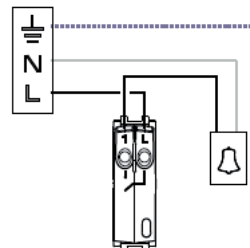
5. CONNECTION

5.1 Terminals

Terminal capacity: 4 x 1 mm²
 4 x 1.5 mm²
 2 x 2.5 mm²
 1 x 4 mm²

Recommended screwdriver size: 4 mm flat blade
 Recommended terminal lightening torque: 0.5 Nm
 Stripping: 12 mm

5.2 Circuit diagram



6. OPERATION

Switch mechanism (handling force 2.6 to 3.5 N).

10 A Push-buttons complete white

7. TECHNICAL CHARACTERISTICS

7.1 Mechanical characteristics

Impact tests: IK04

Protection against liquids: IP41

7.2 Material characteristics

Rocker: Polycarbonate

Support: Polycarbonate

Base: Polypropylene

7.3 Electrical characteristics

Self-extinguishing: 650°C / 30 s

Voltage: 250 VAC

Current: 10 A

7.4 Climatic characteristics

Storage temperatures: - 10°C to + 70°C

Operating temperatures: - 5°C to + 50°C

8. CLEANING

Surface cleaning with a soft, slightly damp cloth.

Do not use: acetone, tar remover, trichloroethylene.

Résistance to the following cleaning agents:

Hexane (EN 60669-1), Methylated spirits, Soapy water, Diluted ammonia, Diluted pure bleach 10 %, Glass cleaning substance, Pre-impregnated wipes

Caution: A preliminary test should be carried out if other specific cleaning products are to be used.

9. ACCESSORIES

Transparent rocker with label holders

2 818 95

1 gang

