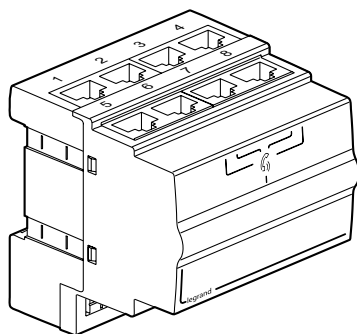


8-way telephone splitter

Catalogue number(s): 413012



1. INTRODUCTION

This splitter can be used on conventional lines (analogue) or ISDN lines (leave the switch set to L1 and connect the ISDN to one of the RJ45 input connectors).

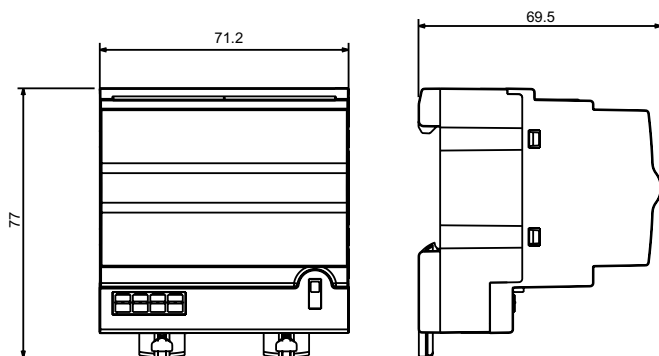
It distributes the analogue telephone on 8 RJ45 wall sockets or 2 x 4 sockets when managing 2 different analogue lines.

Telephone splitter with 2 x 4 outputs

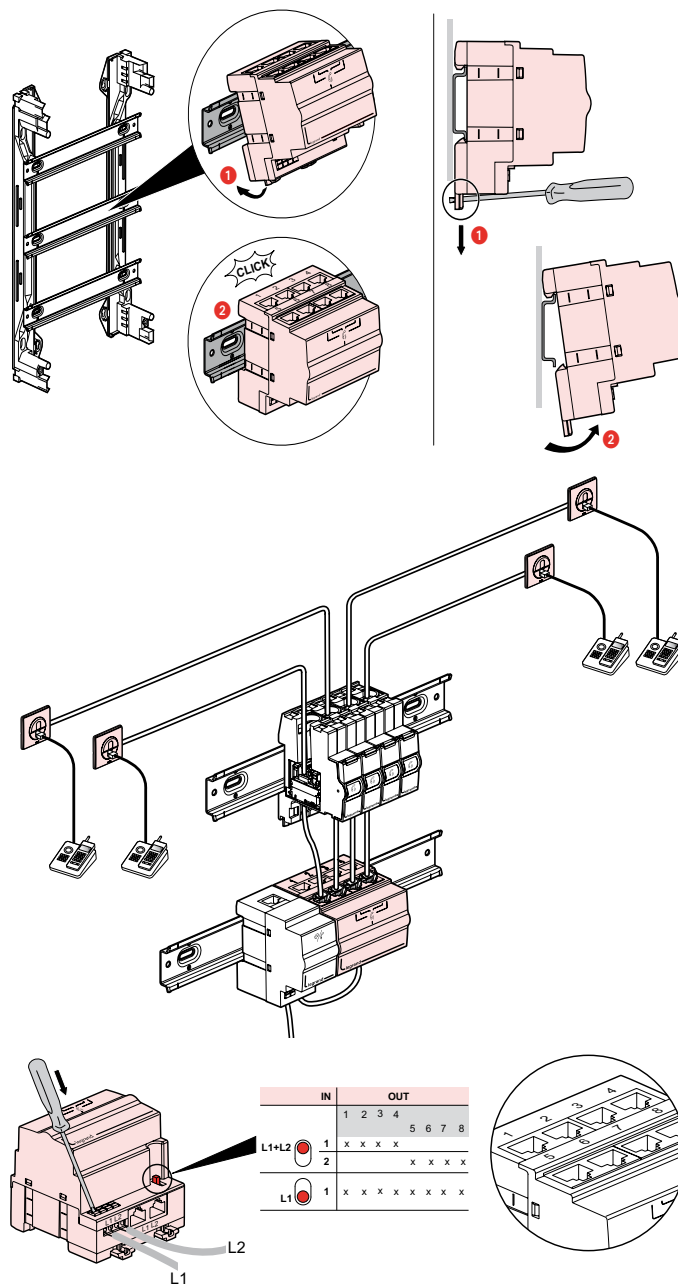
2. SELECTION CHART

Description	Cat. Nos.	No. of modules	Weight (g)
8-way telephone splitter	413012	4	130

3. OVERALL DIMENSIONS



4. SETUP AND CONNECTION



5. TECHNICAL FEATURES

5.1 Mechanical features:

Plastic casing: PC RAL 7035

IP20 - IK04

Tensile resistance on DIN rail: 100 N

5.2 Climatic features

Operating temperature: + 5°C to + 40°C

Storage temperature: - 25°C to + 70°C

6. COMPLIANCE AND APPROVALS

Conforming to standards: EN 50090-2-2/EN 60950