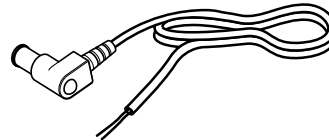
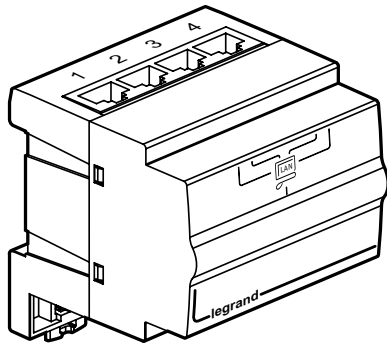


10/100 Mbps 5-port switch

Catalogue number(s): 413010



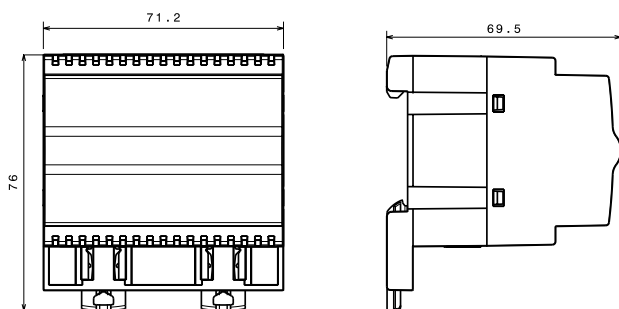
1. INTRODUCTION

Device for computer networking
Switch with 5 (4+1) RJ45 outputs
10/100 Mbps
Network output with status indicator (LEDs)
Supplied with 9 V

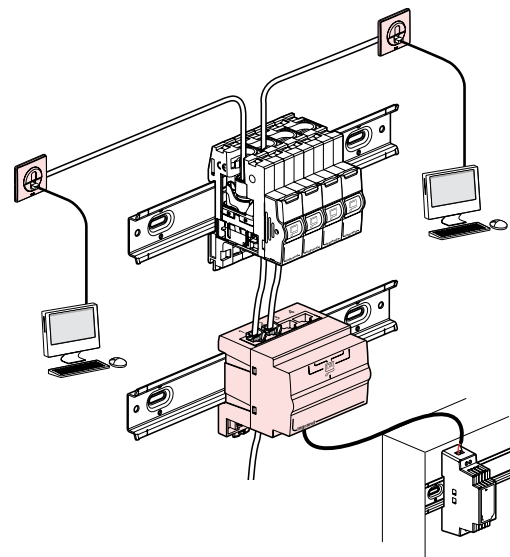
2. SELECTION CHART

Description	Cat. No.	No. of modules	Weight (g)
10/100 Mbps 5-port switch	413010	4	147

3. OVERALL DIMENSIONS



4. SETUP AND CONNECTION



5. TECHNICAL FEATURES

5.1 Mechanical features

Plastic casing: PC RAL 7035
IP20 - IK04
Tensile resistance on DIN rail: 100 N

5.2 Electrical features

10/100 Mbps autonegotiation Ethernet switch
HALF/FULL DUPLEX
Supports auto MDI/MDIX
Network ports with status indicator
Power supply: 200 mA at 9 VDC
Consumption at 220 VAC:
2.6 W
Cos γ : 0.42
Orange LED off: 10 Mbps
Green LED on continuously: active device detected

5.3 Climatic features

Operating temperature: + 5°C to + 40°C
Storage temperature: - 25°C to + 70°C

6. COMPLIANCE AND APPROVALS

EN 60950
IEEE 802.3 for 10 base-T Ethernet
IEEE 802.3u for 100 base-Tx Fast Ethernet