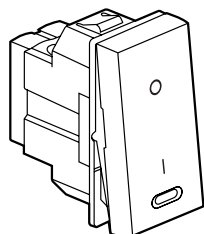


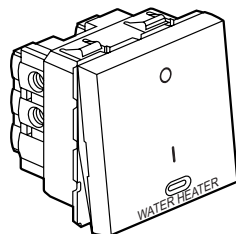
Arteor™ Double pole switches with indicator

Cat. No(s): 572 014/047/049/451/514/547/549
573 032/033/076/078/132/133/176/178

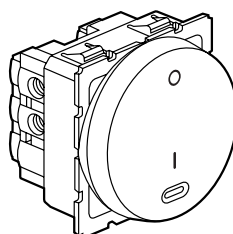
CONTENTS	Page
1. Use.....	1
2. Range.....	1
3. Preparation.....	2
4. Overall dimensions.....	2
5. Connection.....	2
6. Operation.....	2
7. Technical characteristics.....	2
8. Cleaning.....	2
9. Conformity - Approvals.....	3



572 014/514



572 049/549



573 076/176

1. USE

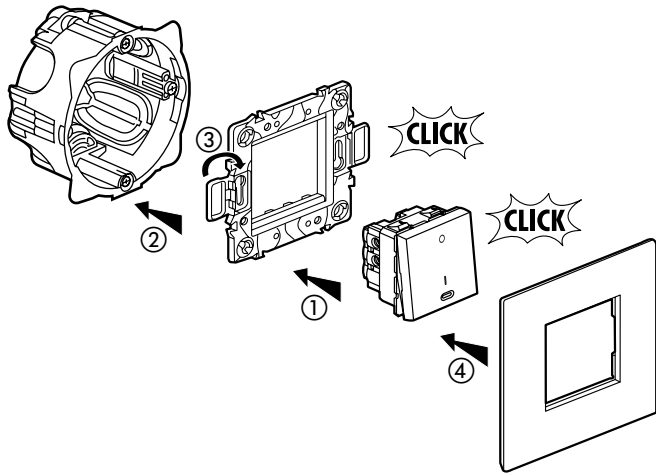
General lighting control mechanisms with signalling elements (indicator light or marking).

2. RANGE

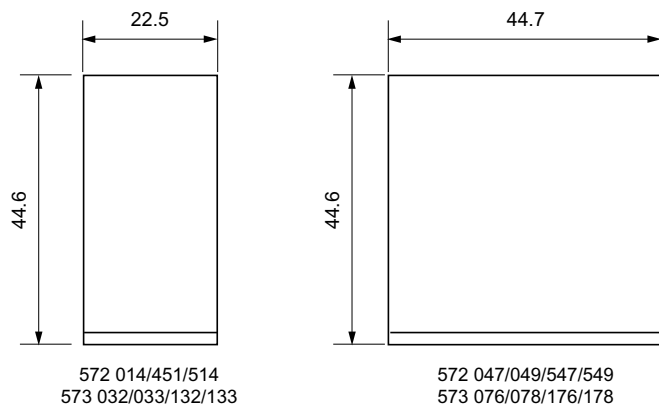
	Designation	Finishes			No. of modules	Connection method	Weight (g)	Characteristics
		White	Magnesium	Red				
	Double pole switch one way with indicator (square)	572 014	572 514		1	with screws	30	20 AX - 250 VAC
	Double pole switch one way with indicator (square)	572 047	572 547		2	with screws	42	20 AX - 250 VAC
	Double pole switch one way with indicator and water heater marking (square)	572 049	572 549		2	with screws	42	20 AX - 250 VAC
	Double pole switch red (square)			572 451	1	with screws	30	20 AX - 250 VAC
	Double pole switch one way with indicator (round left)	573 032	573 132		1	with screws	30	20 AX - 250 VAC
	Double pole switch one way with indicator (round right)	573 033	573 133		1	with screws	30	20 AX - 250 VAC
	Double pole switch one way with indicator (round)	573 076	573 176		2	with screws	41	20 AX - 250 VAC
	Double pole switch one way with indicator and water heater marking (round)	573 078	573 178		2	with screws	41	20 AX - 250 VAC

3. PREPARATION

The mechanisms can be flush-mounted or surface-mounted

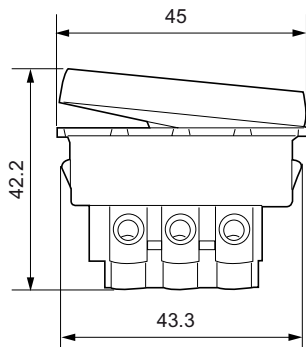


4. OVERALL DIMENSIONS



572 014/451/514
573 032/033/132/133

572 047/049/547/549
573 076/078/176/178



5. CONNECTION

Terminals: with screws
Capacity and stripping:

	Capacity			Stripping
572 014/451/514 573 032/033/132/133	4 x 2.5 mm ²	1 x 4 mm ²	1 x 6 mm ²	8 mm
572 047/049/547/549 573 076/078/176/178	4 x 2.5 mm ²	2 x 4 mm ²	1 x 6 mm ²	10 mm

Screwdriver: 4 mm flat-blade up to 5.5 mm

6. OPERATION

Switching mechanism.

7. TECHNICAL CHARACTERISTICS

7.1 Mechanical characteristics

Impact tests: IK 04
Protection by solid bodies / liquids: IP 40 (mounted)
IP 20 (alone)

7.2 Material characteristics

Rocker: Polycarbonate
Base: Polycarbonate
Basket: Polypropylene

7.3 Electrical characteristics

Voltage: 250 VAC
Current: 20 AX
Self-extinguishing: 650° C / 30 s.
Red light indicator: LED

7.4 Climatic characteristics

Storage temperature: - 10° C to + 70° C
Operating temperatures: - 5° C to + 50° C

8. CLEANING

Caution: A preliminary test should be carried out if other specific cleaning products are to be used.

Surface cleaning with a cloth
Do not use: acetone, tar remover, trichloroethylene

Resistance to the following cleaning agents: Hexane (EN-60669-1), Methylated spirits, Soapy water, diluted ammonia, diluted pure bleach 10%, Glass cleaning substance, Pre-impregnated wipes.

Double pole switches with indicator**9. CONFORMITY - APPROVALS**

Approvals in process:

	IECEE	SABS	SASO	PAI	PSB	SONCAP	KEN
572 014 - 572 514	x	x	x				
572 047 - 572 547	x	x		x	x	x	x
572 049 - 572 549	x	x		x	x	x	x
572 451	x	x		x			
573 032 - 573 132	x	x					
573 033 - 573 133	x	x					
573 076 - 573 176	x	x		x			
573 078 - 573 178	x	x		x	x	x	x