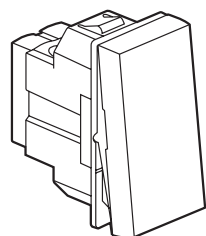
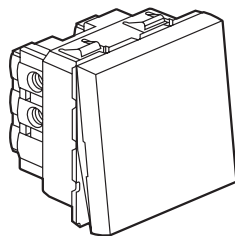


# Arteor™ Double pole switches

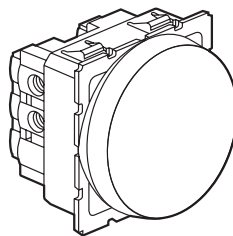
Cat. No(s): 5 720 13/40/46/48 - 5 725 13/40/46/48  
5 730 30/31/65/75/77 - 5 731 30/31/65/75/77



5 720 13 - 5 725 13



5 720 40/46 - 5 725 40/46



5 730 65/75 - 5 731 65/75

## CONTENTS


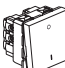


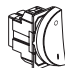

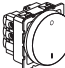
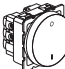

Page

1. Use.....	1
2. Range.....	1
3. Preparation.....	2
4. Overall dimensions.....	2
5. Connection.....	2
6. Operation.....	2
7. Technical characteristics.....	2
8. Cleaning.....	2
9. Conformity - Approvals.....	3

## 1. USE

General lighting control mechanisms.

## 2. RANGE

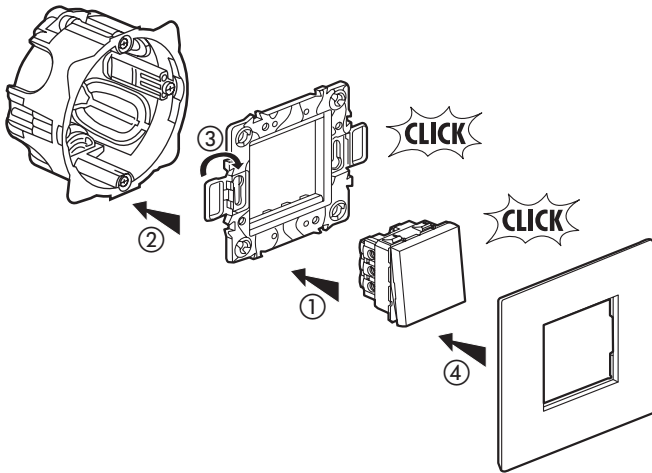
	Designation	Finishes		No. of modules	Connection method	Weight (g)	Characteristics
		White	Magnesium				
	Double pole switch one way (square)	5 720 13	5 725 13	1	with screws	30	20 AX - 250 VAC
	Double pole switch one way (square)	5 720 40	5 725 40	2	with screws	41	6/10 AX - 250 VAC
	Double pole switch one way (square)	5 720 46	5 725 46	2	with screws	42	20 AX - 250 VAC
	Double pole switch two way (square)	5 720 48	5 725 48	2	with screws	47	20 AX - 250 VAC
	Double pole switch one way (round left)	5 730 30	5 731 30	1	with screws	30	20 AX - 250 VAC
	Double pole switch one way (round right)	5 730 31	5 731 31	1	with screws	30	20 AX - 250 VAC
	Double pole switch one way (round)	5 730 65	5 731 65	2	with screws	40	6/10 AX - 250 VAC
	Double pole switch one way (round)	5 730 75	5 731 75	2	with screws	41	20 AX - 250 VAC
	Double pole switch two way (round)	5 730 77	5 731 77	2	with screws	46	20 AX - 250 VAC

# Arteor™ Double pole switches

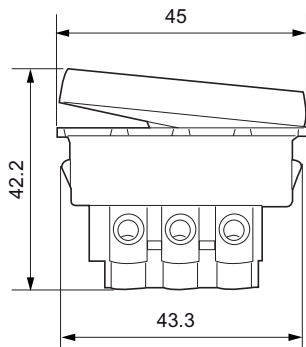
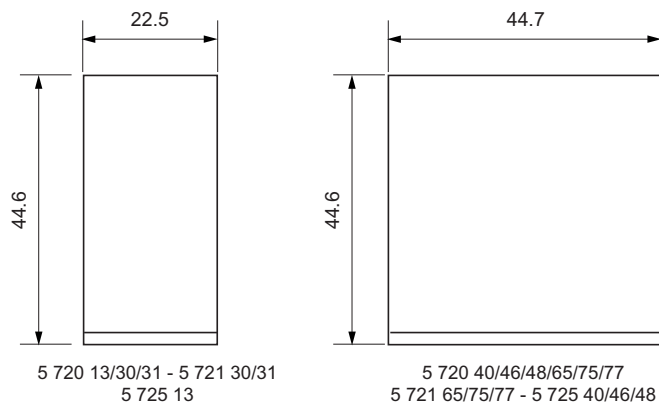
Cat. No(s): 5 720 13/40/46/48 - 5 725 13/40/46/48  
5 730 30/31/65/75/77 - 5 731 30/31/65/75/77

## 3. PREPARATION

The mechanisms can be flush-mounted or surface-mounted



## 4. OVERALL DIMENSIONS



## 5. CONNECTION

Terminals: with screws  
Capacity and stripping:

	Capacity			Stripping
5 720 13 - 5 730 30/31 5 731 30/31 - 5 735 13	4 x 2.5 mm <sup>2</sup>	1 x 4 mm <sup>2</sup>	1 x 6 mm <sup>2</sup>	8 mm
5 720 40 - 5 725 40 5 730 65 - 5 731 65	2 x 2.5 mm <sup>2</sup>	1 x 4 mm <sup>2</sup>	-	10 mm
5 720 46/48 5 725 46/48 5 730 75/77 5 731 75/77	4 x 2.5 mm <sup>2</sup>	2 x 4 mm <sup>2</sup>	1 x 6 mm <sup>2</sup>	

Screwdriver: 4 mm flat-blade up to 5.5 mm

## 6. OPERATION

Switching mechanism.

## 7. TECHNICAL CHARACTERISTICS

### 7.1 Mechanical characteristics

Impact tests: IK 04  
Protection by solid bodies / liquids: IP 40 (mounted)  
IP 20 (alone)

### 7.2 Material characteristics

Rocker: Polycarbonate  
Base: Polycarbonate  
Basket: Polypropylene

### 7.3 Electrical characteristics

Voltage: 250 VAC

Current:	5 720 40 - 5 725 40	6/10 AX
	5 730 65 - 5 731 65	
	Other	20 AX

Self-extinguishing: 650° C / 30 s

### 7.4 Climatic characteristics

Storage temperature: - 10° C to + 70° C  
Operating temperatures: - 5° C to + 50° C

## 8. CLEANING

Surface cleaning with a cloth  
Do not use: acetone, tar remover, trichloroethylene

Resistance to the following cleaning agents: Hexane (EN-60669-1), Methylated spirits, Soapy water, diluted ammonia, diluted pure bleach 10%,

**Caution:** A preliminary test should be carried out if other specific cleaning products are to be used.

Glass cleaning substance, Pre-impregnated wipes.

# Arteor™

## Double pole switches

Cat. No(s): 5 720 13/40/46/48 - 5 725 13/40/46/48  
5 730 30/31/65/75/77 - 5 731 30/31/65/75/77

### 9. CONFORMITY - APPROVALS

Approvals in process:

	IECEE	PAI	SABS	PSB	SONCAP	KEN
5 720 13 - 5 725 13	x	x	x	x		
5 720 40 - 5 725 40	x		x	x	x	x
5 720 46 - 5 725 46	x	x	x	x	x	x
5 720 48 - 5 725 48	x	x	x			
5 730 30 - 5 731 30	x	x	x	x		
5 730 31 - 5 731 31	x	x	x	x		
5 730 65 - 5 731 65	x		x	x		
5 730 75 - 5 731 75	x	x	x	x		
5 730 77 - 5 731 77	x	x	x			