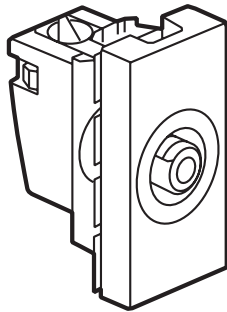
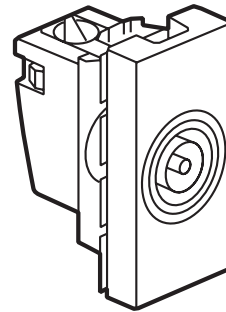


Arteor™ Single TV socket outlets

Cat. No(s).: 572 171/163/671/663



572 163/663



572 171/671

1. USE

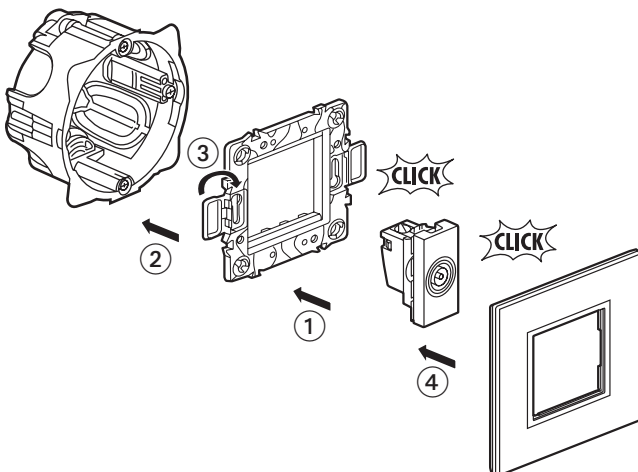
TV socket for individual or collective installation

2. RANGE

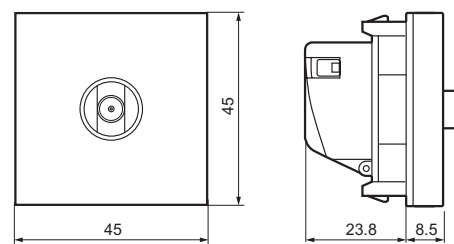
	Designation	Finishes.		No. of modules	Weight (g)
		White	Magnesium		
	Single TV socket "F" type	572 163	572 663	1	46
	Single TV socket male Ø 9.52	572 171	572 671	1	45.7

3. PREPARATION

The mechanisms can be flush-mounted or surface-mounted

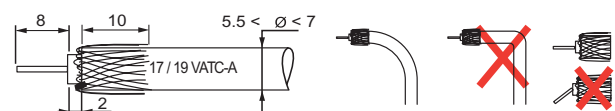


4. OVERALL DIMENSIONS



5. CABLING PRECAUTIONS

Stripping length:

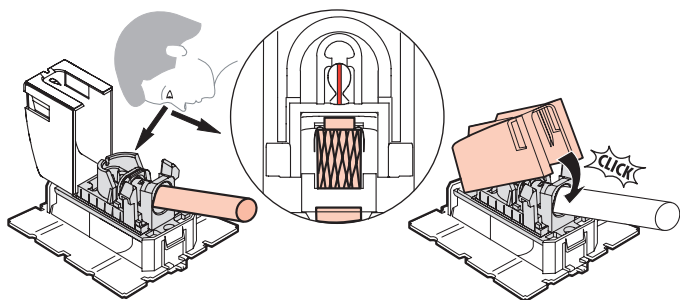


Caution: Make sure the coaxial cable has the largest possible bend radius to prevent impedance breakage and a resulting deterioration in performance due to deformation of this coaxial cable. A signal amplifier must be used with passage and terminal sockets to compensate for attenuations generated by this technique.

Arteor™ Single TV socket outlets

Cat. No(s): 572 171/163/671/663

6. CONNECTION



7. TECHNICAL CHARACTERISTICS




7.1 Mechanical characteristics

Impact tests: IK 03

7.2 Material characteristics

Cover plates: ABS

8. PERFORMANCES

Coax	Attenuation		Control	Channel 1	Channel RD	Channel VHF	Channel UHF	Channel SAT (IF)
Z = 75 Ω		500 mA						
		—	22 / 0.6	47 - 68	87.5 - 108	120 - 470	470 - 862	950 - 2400
	dB	mA	KHz / V	MHz	MHz	MHz	MHz	MHz
	i < 1.5 dB			1	1	1	1	1.5