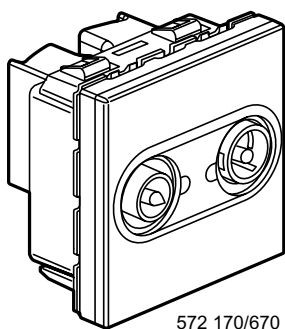
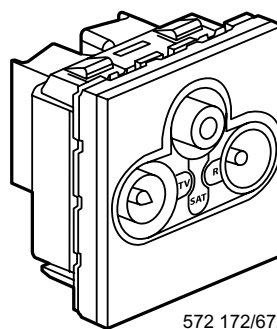


Arteor™ TV-R / TV-R-SAT socket outlets

Cat. No(s): 572 170/172 - 572 670/672



572 170/670

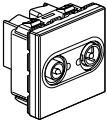
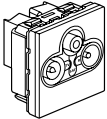


572 172/672

1. USE

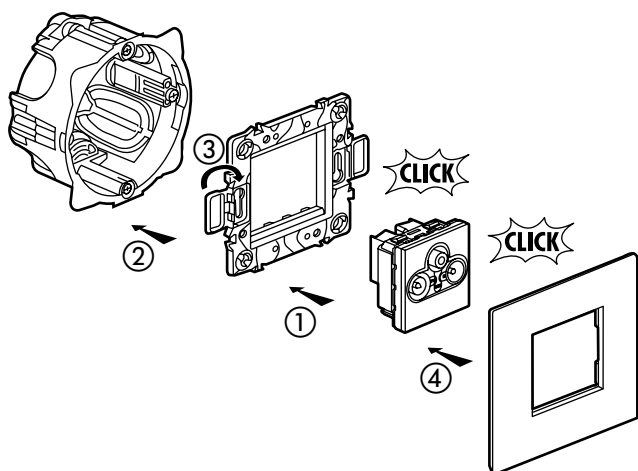
TV-R and TV-R-SAT television sockets for individual or collective installation with reception via:
- radio relay antenna
- parabolic antenna with individual demodulator

2. RANGE

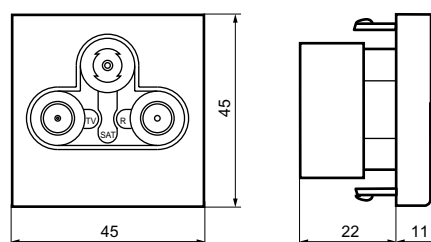
	Designation	Finishes		No. of modules	Weight (g)
		White	Magnesium		
	TV-R socket	572 170	572 670	2	64.8
	TV-R-SAT socket	572 172	572 672	2	67

3. PREPARATION

The mechanisms can be flush-mounted or surface-mounted.

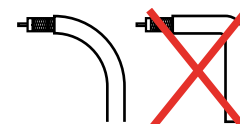
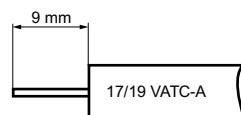


4. OVERALL DIMENSIONS



5. CABLING PRECAUTIONS

Stripping length:



Max. incoming cable Ø on input 7 mm

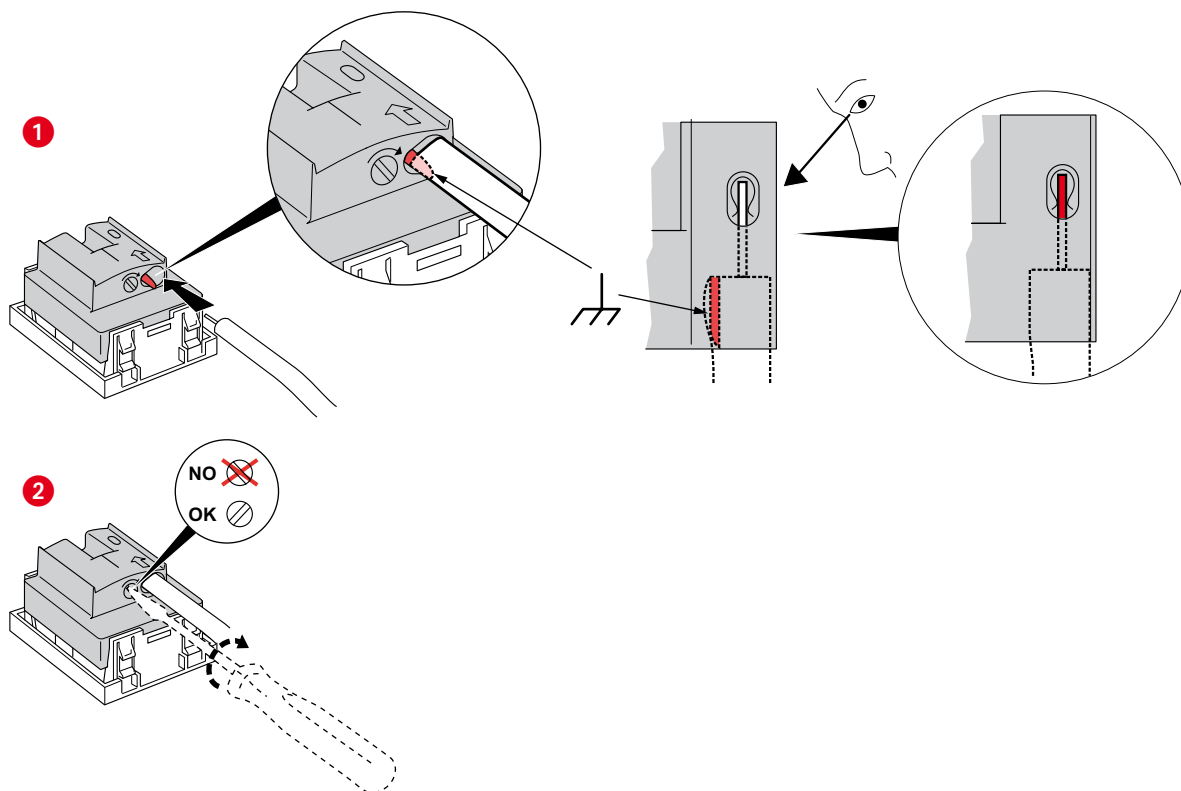
Caution:

Make sure the coaxial cable has the largest possible bend radius to prevent impedance breakage and a resulting deterioration in performance due to deformation of this coaxial cable.
A signal amplifier must be used with passage and terminal sockets to compensate for attenuations generated by this technique.

Arteor™ TV-R / TV-R-SAT socket outlets

Cat. No(s): 572 170/172 - 572 670/672

6. CONNECTION



7. TECHNICAL CHARACTERISTICS

7.1 Mechanical characteristics

Impact tests: IK 03

7.2 Material characteristics

Cover plates: ABS

8. PERFORMANCES

	Coax	Attenuation 862 MHz (insertion)		Control	Band 1	FM	VHF	UHF	BIS (sat.)
	∅ 9.5 mm Z = 75 Ω	Attenuation		500 mA	Channel	Channel	Channel	Channel	Channel
			—	DISEqC®	47 - 68	87.5 - 108	120 - 470	470 - 862	950 - 2400
		dB	mA	Khz/V	Mhz	Mhz	Mhz	Mhz	Mhz
572 172 572 672	⊙ TV	$i \leq 1.5$ dB	yes	DISEqC®	1.5 dB		1.5 dB		
	⊙ R					1.5 dB			
	⊙ SAT								
572 170 572 670	⊙ TV	$i \leq 1.5$ dB	yes	DISEqC®	1.5 dB		1.5 dB		
	⊙ R					1.5 dB			