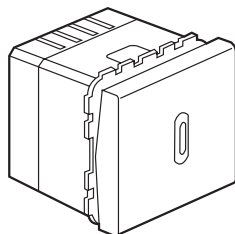


Arteor™ Time delay switch

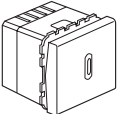
Cat. No(s): 5720 55 - 5740 84



1. USE

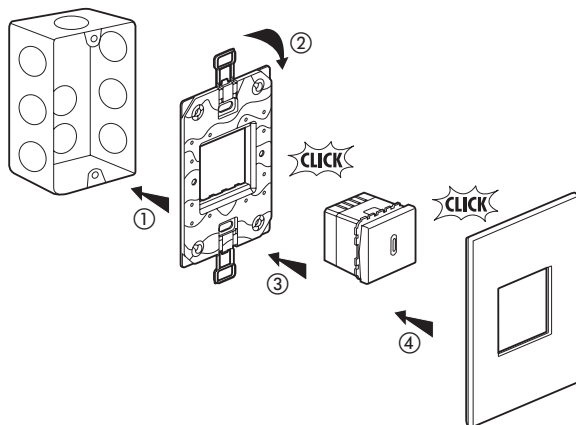
Lighting or heating control with a time delay function when switched off.

2. RANGE

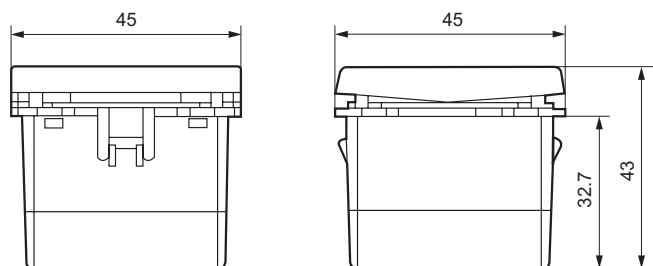
	Designation	Finishes		Number of modules	Fixing method	Weight (g)	Characteristics
		White	Magnesium				
	Time delay switch	5720 55	5740 84	2	with clips	51.4	240 V 50/60Hz

3. PREPARATION

The mechanisms can be flush-mounted or surface-mounted.

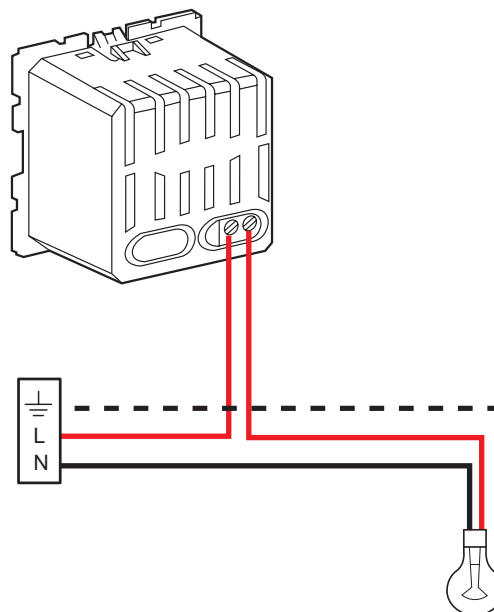


4. OVERALL DIMENSIONS



4. OVERALL DIMENSIONS

Number of terminals: 2
Terminal type: with screws
Stripping: 6 mm
Terminal capacities: 1 x 2,5 mm² flexible or rigid
Screwdriver: 3,5 mm flat-blade

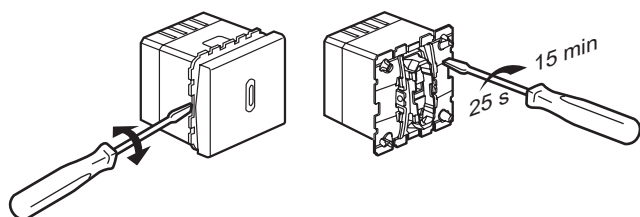


Time delay switch

6. OPERATION

Adjustment:

Remove the rocker, then use a flat-blade screwdriver to adjust to the desired time delay value (from 25 seconds to 15 minutes).



Operation:

- Pressing causes switching on time delay period.
- Pressing for < 2 seconds during the time delay period restarts the time delay process.
- Pressing for > 2 seconds during the time delay period stops the time delay process.

The switch has an indicator LED.

7. TECHNICAL CHARACTERISTICS

7.1 Mechanical characteristics

Impact tests: IK 04

Protection by solid bodies / liquids: IP 41

7.2 Material characteristics

Cover plate: ABS (RAL 9003)

Base: Polycarbonate

Drive: Polycarbonate

7.3 Electrical characteristics

Self-extinguishing: 650°C / 30 s

Voltage: 240 VAC

Frequency: 50/60 Hz

Max. power:

① 1840 W	② 400 VA	③ 2 x 58 W - 14 µF	④ 1000 W
⑤ 400 W	⑥ 250 VA	⑦ 400 VA	⑧ 400 VA

- 1 - Resistive
- 2 - Non compensated fluo
- 3 - Compensated fluo
- 4 - Incandescent
- 5 - Compact fluorescent and fluo with electronic transformer
- 6 - Fan drives
- 7 - ELV halogene with ferromagnetic transformer
- 8 - ELV halogene with electronic transformer

7.4 Climatic characteristics

Storage temperature: - 10°C to + 60°C

Operating temperature: - 5°C to + 50°C

8. CLEANING

Surface cleaning with a cloth

Do not use: acetone, tar remover, trichloroethylene

8.1 Resistance to cleaning agents

Resistance to the following agents: Hexane (EN-60669-1), Methylated spirits, Soapy water, diluted ammonia, diluted pure bleach 10%, Glass cleaning substance, Pre-impregnated wipes.

Caution: A preliminary test should be carried out if other specific cleaning products are to be used.

9. CONFORMITY - APPROVALS

Approvals in process: NF - CEBEC - BBJ - VDE - GOST