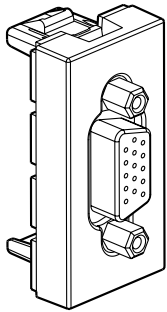
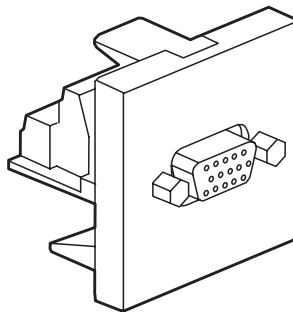


Arteor™
HD15 socket

Cat. No(s): 5722 79/82/88/89
5727 79/82/88/89



5722 79 - 5727 79



5722 82 - 5727 82

SOMMAIRE

Pages

1. Use	1
2. Range	1
3. Preparation	1
4. Overall dimensions	1-2
5. Connection	2
6. Technical characteristics	3
7. Cleaning	3

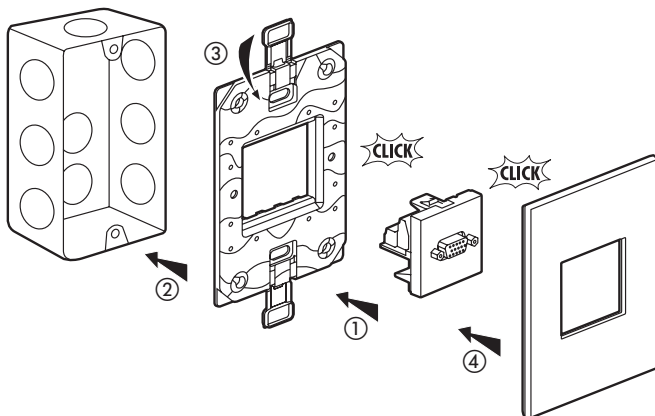
1. USE

For transmitting analogue video signals of VGA, XGA or VESA type.
VGA link of a computer monitor, plasma display, video projector, palette, etc.

2. RANGE

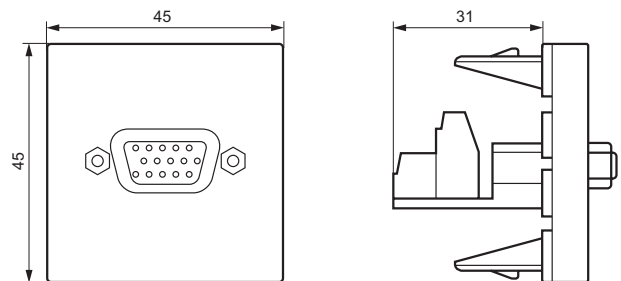
	Designation	Finishes		No. of modules	Fixing method	Connection method	Weight (g)
		White	Magnesium				
	Female HD15 socket	5722 79	5727 79	1	With clips	With screws	21.8
	Female HD 15 socket	5722 82	5727 82	2	With clips	With screws	32.6
	Female HD 15 + jack 3.5 socket square	5722 88	5727 88	2	With clips	With screws	40
	Female HD 15 + jack 3.5 socket round	5722 89	5727 89	2	With clips	With screws	44.2

3. PREPARATION



The mechanisms can be flush-mounted or surface-mounted.

4. OVERALL DIMENSIONS

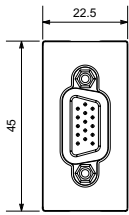


5722 82/88/89 - 5727 82/88/89

Arteor™ HD15 socket

Cat. No(s): 5722 79/82/88/89
5727 79/82/88/89

4. OVERALL DIMENSIONS (suite)



5722 79 - 5727 79

5. CONNECTION

Wide terminal strip taking a 1 mm² conductor max.

Supplied in a bag containing:

- 1 Colring tie
- ferrules to be crimped for conductor < 0.5 mm²
- thermoformable sheaths

Cable bend radius: 35 mm.

Max. cable length: 20 m (beyond: recommendation for a VGA amplifier).

Stripping

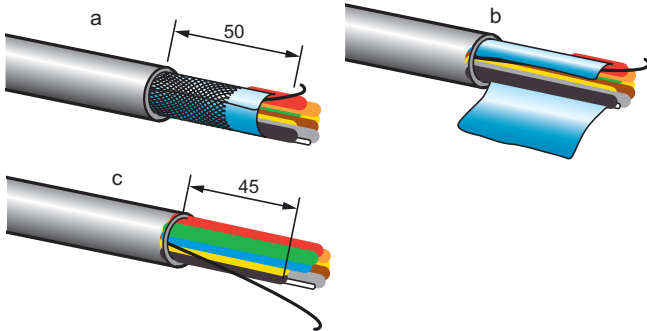
Cords to be cut: 5 coaxial cables 75 Ω Ø 2.7 + 5 conductors Ø 2.7 Gauge 28.

a - Cable unsheathing length: 50 mm

Recover the continuity wire of the cable's general shielding

b - Remove the braid and the aluminium shielding tape

c - Cut the coaxial cables at 45 mm (remove 5 mm).

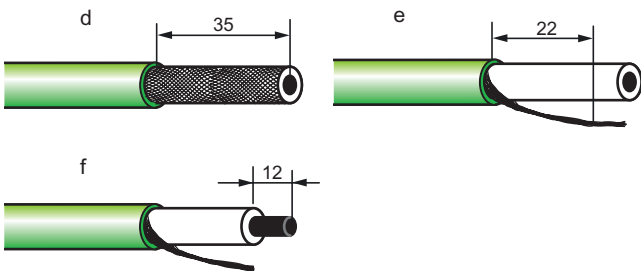


d - Coaxial cable unsheathing length: 35 mm (red, green, blue, yellow, black).

e - Cut the braids at 22 mm (remove 13 mm)

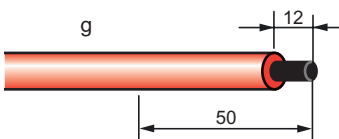
Unbraid and then twist the strands.

f - Stripping length of coaxial cable cores: 12 mm



g - Single conductor stripping length :

12 mm (orange, violet, brown, white, grey)



5. CONNECTION (continued)

Wiring

Tools required: flat-blade screwdriver 0.4 x 2.5 mm and flat-nose pliers. Insulate the braids and the continuity wire using the neoprene sleeves supplied, thread them into the ferrules supplied and crimp them using the flat-nose pliers. Fold the cables cores in two to ensure a better mechanical hold, thread them into the ferrules supplied and crimp them using the flat-nose pliers.

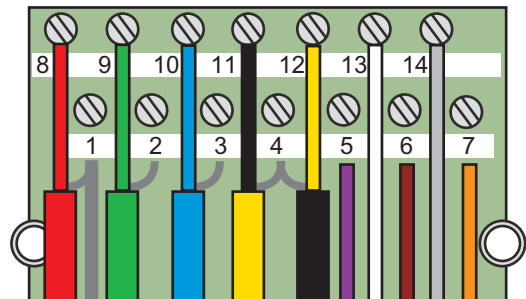
Start by wiring the braids and the continuity wire, followed by the coaxial cable cores.

Finish with the single conductors.

Hold the cable mechanically using the cable clamp supplied.

Note: Pin No. 9 of the SUB D connector is not cabled.

Follow the wiring instructions below:



Cable's general shielding

- | | |
|---------------------------|---------------|
| 1 - Red ground | (Gnd R) |
| 2 - Green ground | (Gnd V) |
| 3 - Blue ground | (Gnd blue) |
| 4 - Yellow + black ground | (Gnd SH + SV) |
| 5 - Violet | self test |
| 6 - Brown | ID bit 0 |
| 7 - Orange | ID bit 2 |
| 8 - Red coaxial cable | (R) |
| 9 - Green coaxial cable | (V) |
| 10 - Blue coaxial cable | (B) |
| 11 - Black coaxial cable | (SH) |
| 12 - Yellow coaxial cable | (SV) |
| 13 - White | ID Bit 1 |
| 14 - Grey | ID Bit 3 |

HD15 socket

6. TECHNICAL CHARACTERISTICS

6.1 Mechanical characteristics

Impact tests: IK 04

Penetration by solid bodies/liquid: IP 40

6.2 Material characteristics

Base: Polycarbonate

Cover: ABS

Self-extinguishing: 650° C / 30 s

6.3 Climatic characteristics

Storage temperature: - 10° C to + 70° C

Operating temperature: - 5° C to + 50° C

7. CLEANING

Surface cleaning with a cloth

Do not use: acetone, tar remover, trichloroethylene

7.1 Resistance to cleaning agents

Resistance to the following agents:

- Hexane (EN 60669-1)
- Methylated spirits
- Soapy water
- Diluted ammonia
- Diluted pure bleach 10%
- Glass cleaning substance
- Pre-impregnated wipes.

7.2 Resistance to hospital-type cleaning agents

Resistance to the following agents:

- Anios
- Surfanios
- Bactylsine
- Diluted hydrogen peroxide 35%

Caution: A preliminary test should be carried out if other specific cleaning products are to be used