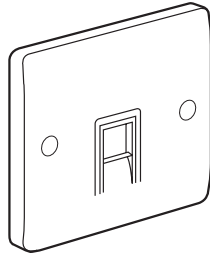
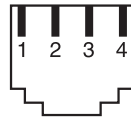


**Synergy®**  
**RJ11 Socket outlets**

**Cat. No(s) : 7300 54**



7300 54



RJ 11 4 contacts, width : 9.65 mm

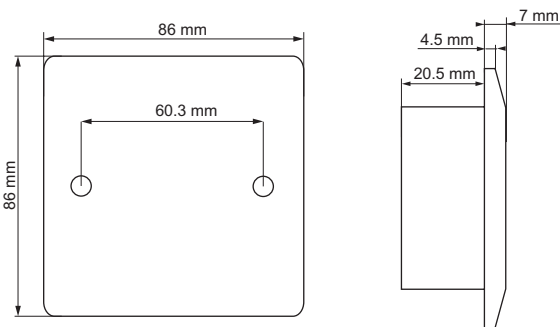
**1. APPLICATIONS**

Socket outlet for the transmission of data or telephone signals.

**2. WHITE RANGE**

Description	Cat. N°	Characteristics	Weight (g)
1 gang	7300 54	4 contacts	59

**3. DIMENSIONS (mm)**



**4. INSTALLATION**

**Flush mounting :**

- All products supplied with 2 x M 3.5 fixing screws and 2 thermo-plastic screw covers. It is recommended that redundant top and bottom fixing lugs in metal back boxes are bent back to increase room for mechanisms and their attendant wiring.
- 25 mm minimum depth back boxes.
- 35 mm recommended depth back boxes.

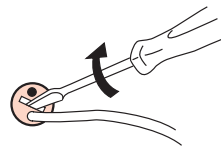
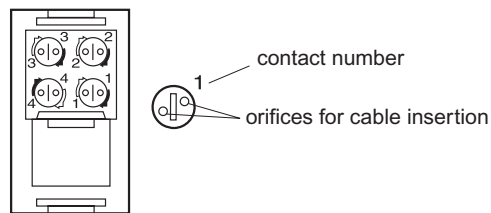
**Surface mounting :**

1 gang 35 mm deep pattress Cat. N° 7364 06

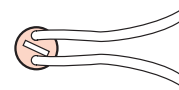
**5. CONNECTION**

Mechanism accepts standard 0.5 mm<sup>2</sup> section solid copper conductors as used in Category 5e applications. Connection via 1/4 turn rotary terminal blocks of the IDC type

Rotary terminal block



Single wire connection



Two wire connection

**6. GENERAL CHARACTERISTICS**

**6.1 Mechanical characteristics**

- IP rating : IP2X
- IK rating : IK01

**6.2 Electrical characteristics**

- 4 IDC type connections
- Accept Ø 0.4 to 0.8 mm single core copper conductors (26 AWG to 20AWG)
- Maximum Ø of cable insulating sheath : 1.4 mm
- Contact blades gold plated on nickel. (Gold thickness : > 1.27µm)
- Spring shutter obturation when socket not in use
- Plug retention in socket : 5.3 kg (53 Newtons)

**6.3 Material properties**

- Frontplate : thermoset urea, self-extinguishing at 960° C / 30 s
- Shutter : polycarbonate, self-extinguishing at 850° C / 30 s
- Fixing screw concealment plugs : polycarbonate.

**6. GENERAL CHARACTERISTICS** *(continued)*

**6.4 Resistance to chemicals**

Resistance to chemical agents	UREA	PC
Acetone	n	l
Acetic acid 10 %	s	-
Hydrochloric acid	s (20%)	n
Citric acid 10 %	s	-
Hydrofluoric acid 4 %	s	l
Lactic acid 10 %	s	-
Nitric acid 10 %	s	-
Phosphoric acid 85 %	l	n
Sulphuric acid 25 %	s	n
Tannic acid	n	-
Cleaning agents containing traces of ammonia quaternaires	n	s
Ethyl alcohol	s	l
Methyl alcohol (methanol)	l	l
Ammonia	n	l
Aniline	n	l
Benzene	n	l
Lime	n	l
Liquid chlorine	n	-
Barium chloride	s	-
Chlorinated lime 20 %	s	-
Javel water	s	-
Seawater	s	-
Oil	s	s
Milk	s	-
Fuel	s	l
Petroleum oil, petroleum ether	l	l
Caustic soda	n (40%)	s (25%)
Sugar	s	-
Toluene	n	-
Trichlorethylene	n	l
Urine	s	-
Wine	s	-

s = satisfactory  
 l = limit  
 n = not satisfactory

**6.5 Functional limitations**

- Products may be stored and used at temperatures between - 5°C and + 40° C
- Maximum average ambient temperature in any 24 hour period not to exceed 25° C.

**7. MAINTENANCE**

The use of abrasives or solvent-based cleaners is strictly forbidden as it could result in irreparable damage to the product's external surfaces. We recommend the use of a soft, slightly damp cloth to remove fingerprints, etc...

**8. ACCESSORIES**

Spare faceplate screw concealment plugs : Cat. N° 7301 53 (50 per pack)