

HOMETOUCH

3488 - 0 672 59

Description

7" Touch Screen for the management of all MyHOME_Up functions, that can be integrated with the video door entry system, to be used as connected internal unit. To use the home automation functions, configuration is not necessary. It is possible to display the MyHOME_Up system status and control the integrated functions (lights, automation, scenarios, burglar alarm, temperature management, Nuvo music system, ...).

Thanks to the "DOOR ENTRY for HOMETOUCH" application, available free both for Android and iOS operating systems, it is also possible to manage the video door entry functions of a BTicino 2 wires system using the 7" capacitive display or the Smartphone.

It provides connection to the automation BUS, the video door entry system BUS and the network, using the Ethernet cable or the Wi-Fi connection; it requires additional power supply. Flush mounted installation with dedicated masonry box (item 3487), or wall mounted with the supplied metal bracket;

Related items

- 3487 HOMETOUCH flush mounted box
- 346020 Additional power supply

Technical data

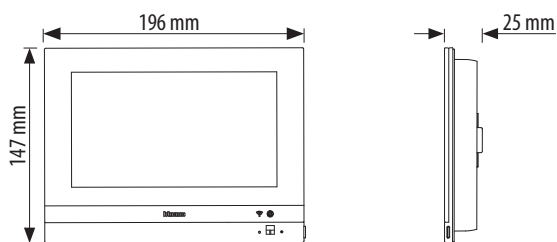
- Power supply: 27 Vdc from SCS BUS
- AV SCS absorption: At 27 V, max 20 mA during a conversation
- MH SCS absorption: 1 mA
- Maximum absorption from clamp 1 – 2: 300 mA (conditions as above, measured during a conversation)
- Operating temperature: 5 – 35 °C

The HOMETOUCH must be connected to a Wi-Fi network with the following features:

- IEEE 802.11 b/g/n (2,4 GHz) 13 channels
- Encrypting and authentication methods supported:
 - OPEN WPA-PSK networks
 - TKIP WPA2-PSK included
 - included AES WEP 64 bits (ASCII 5 figure or hexadecimal 10 figure codes)
 - WEP 128 bits (ASCII 13 figure or hexadecimal 26 figure codes)
 - WPS authentication (supported for WPA2-PSK)

Dimensional data

Size: 147 x 196 x 25 mm (H x L x D)

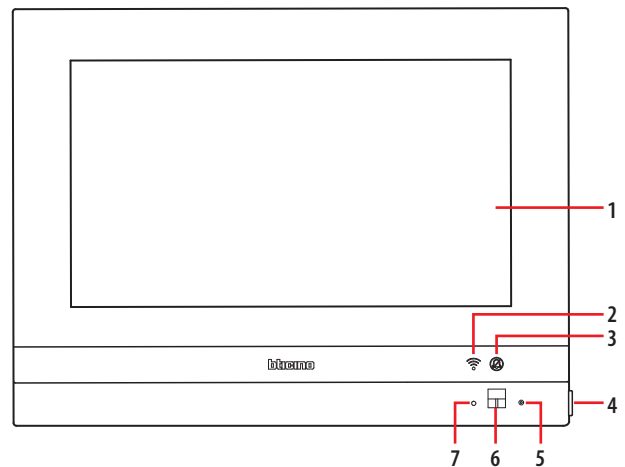


Configuration

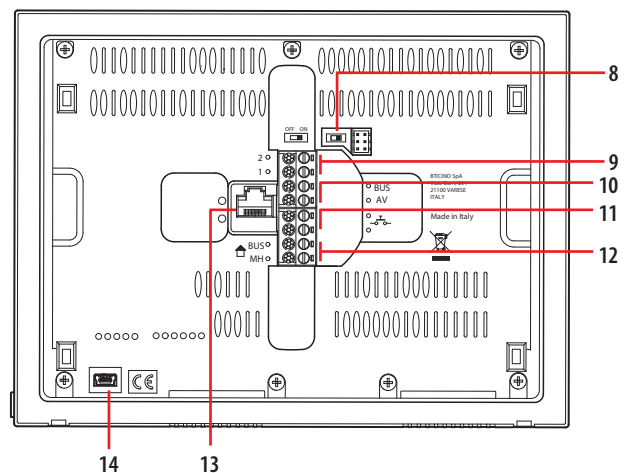
- **Configuration:**
The device does not require advanced configuration, and the first time it is switched on the MyHOME-Up and the video door entry system sections are initialised automatically.
- **Firmware update:**
The firmware update can be performed in the following ways:
 - using the settings of the device itself, if connected to the internet;
 - using the DOOR ENTRY for HOMETOUCH App;
 - using the MyHOME_Suite software, by connecting HOMETOUCH to a Pc with a USB-miniUSB cable.

Note: check that the MHS1 firmware version is compatible with HOMETOUCH.

Front view



Rear view



Legend

1. 1.7" (Touch Screen) display
2. Wi-Fi Status:
LED flashing = Wi-Fi is active but not connected to a network
3. Ringtone exclusion status:
LED on = call ringtone disabled
4. Video door entry key:
- door lock release (long pressure)
- audio enabling/disabling (short pressure during a call)
5. Microphone
6. Proximity sensor
7. RGB Multifunction LED:
Blue LED steady = the function indicates the "open door" status (only for systems preset with appropriate actuator)
Red LED flashing = no internet connection
Green LED steady = the device is communicating
Green LED flashing = incoming call
White LED steady = notification of messages (answering machine, update availability or other system messages)
White LED flashing = update in progress (download or installation)
8. Line termination OFF/ON micro-switch
9. Power supply clamps (1 - 2)
10. Clamps for connection to the AV BUS
11. Clamps () for the connection of an external call to the floor pushbutton
12. Clamps for connection to the MH BUS
13. Ethernet connection
14. (Service) USB mini socket

Note: it is not possible to perform other operations from the display when the Door Entry App is connected to the system (e.g. call in progress, camera CCTV, etc.).

Main functions

HOMETOUCH is a Touch Screen device for the management of the home automation functions of the MyHOME-Up system. In a 2 wires video door entry system, it can also be used as connected internal unit.

Video door entry functions

It is possible to use these functions thanks to the icons found on the device, or the DOOR ENTRY for HOMETOUCH application



Answer a call

Following an Entrance Panel call, this function allows you to display the images recorded by the camera, and if you wish to activate the audio and answer the call.



Look

LOOK (auto-switching on/scrolling)

This function lets you view the images from the Entrance Panel camera, and also in sequence the images of all the 2 wires system cameras connected.



Door lock
release

Door lock release

This function opens the associated Entrance Panel door lock



CCTV (CCTV)

With this function it is possible to enable one of the 2 wires system cameras inside the apartment or the common areas (e.g. garages, garden).



EVENTS

In this page it is possible to display the audio/video messages of the video door entry answering machine and the system messages.



Staircase light 1

Commands

With this function it is possible to enable certain actuators (e.g. door locks, garden light, etc.) in your system.



Private

Cameras

With this function it is possible to monitor your home by enabling one of the 2 wires cameras inside the apartment, the common areas (e.g. garages, garden), and at the Entrance Panels.










Internal

Intercom

With this function it is possible to communicate with other video/audio internal units installed in your home, or in other apartments.

Home-automation functions

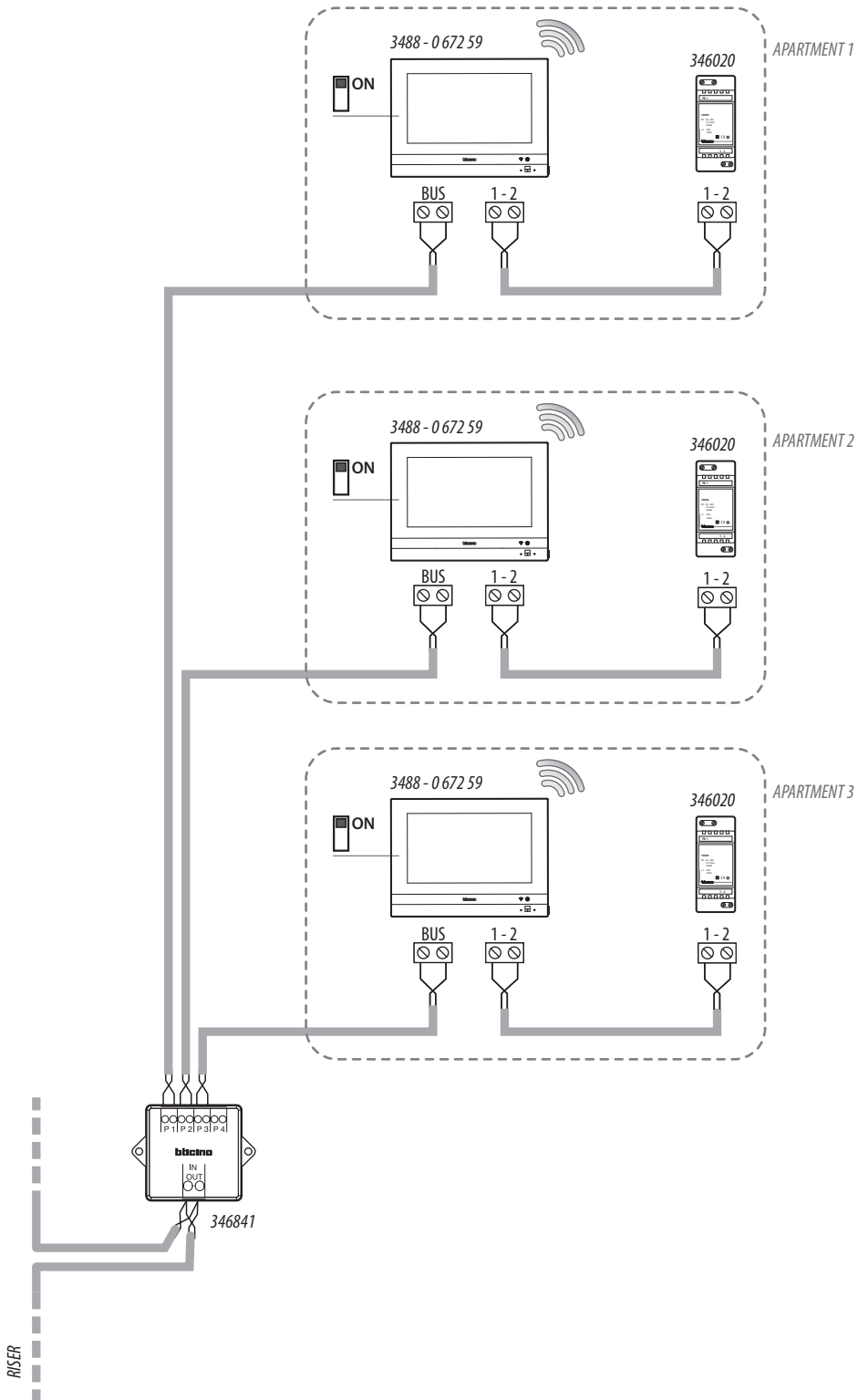
The devices configured in the MyHOME_Up system are detected and managed.
It is therefore possible to control these devices both using HOMETOUCH and the MyHOME_Up application.

| | | |
|---|----------------------------|--|
|  Kitchen light | Light | The light objects allow you to switch a light on/off and adjust brightness and colour. |
|  Kitchen rolling shutter | Shutter | The Rolling Shutter objects allow you to adjust the opening and closing of rolling shutters, shutters and garage doors, and to display their status. |
|  Kitchen Player | Player | This object allows you to control a music player, playing back music tracks or broadcasting radio stations selected in the MyHOME_Up player object. |
|  Controlled | Controlled socket | This object supplies a controlled socket |
|  Scenario | Scenarios | This object allows you to activate a scenario created in MyHOME_Up |
|  Temperature control | Temperature control | This page can be used to adjust the home temperature |
|  Burglar alarm | Burglar alarm | In this page it is possible to insert the burglar alarm system based on system settings, and display current faults and alarms. |

Wiring diagrams

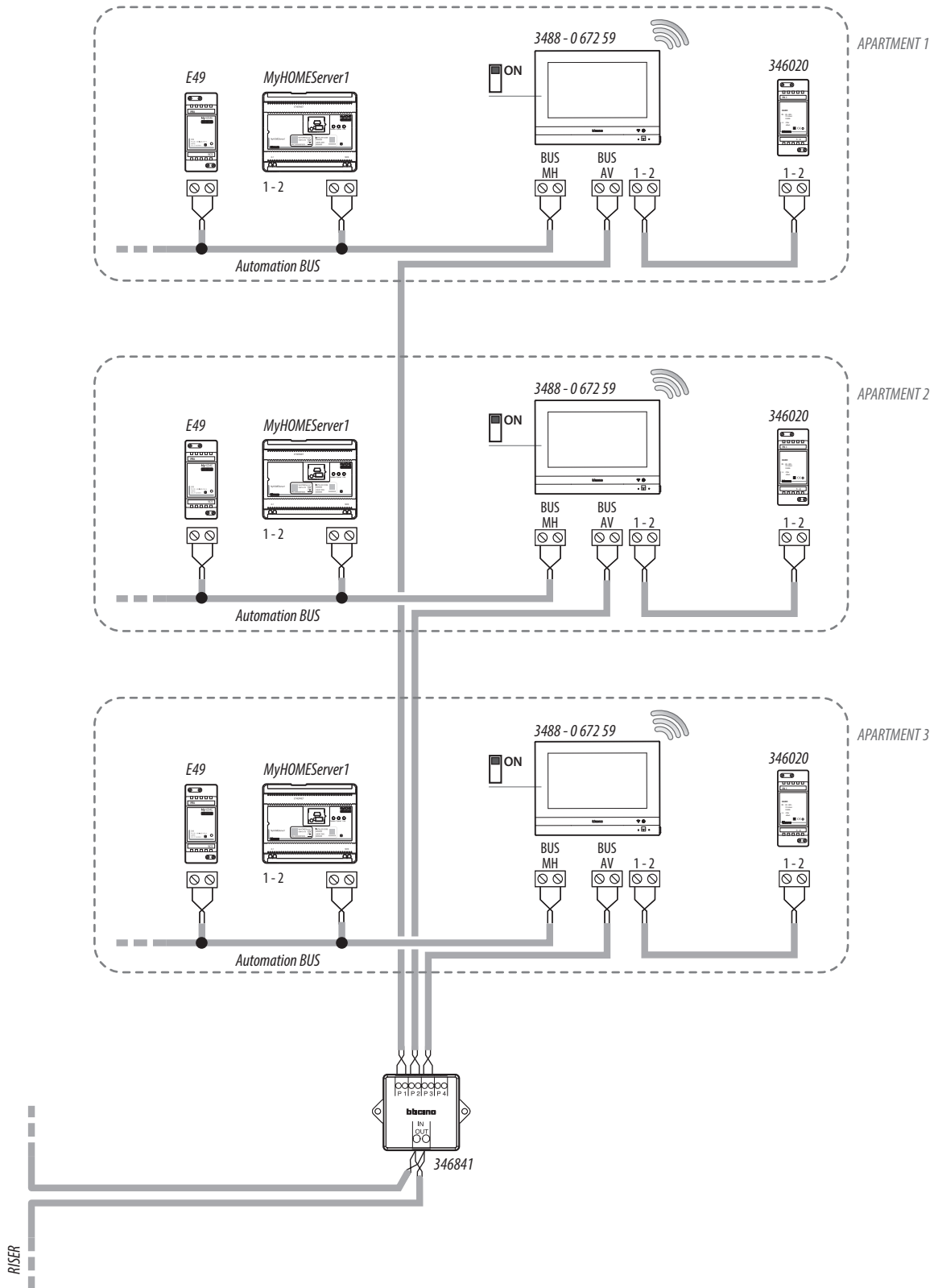
Below are some examples of connections in MyHOME_Up home automation and video door entry systems

DIAGRAM 1 - EXAMPLE OF MULTI-FAMILY SYSTEM WITH POWER SUPPLY



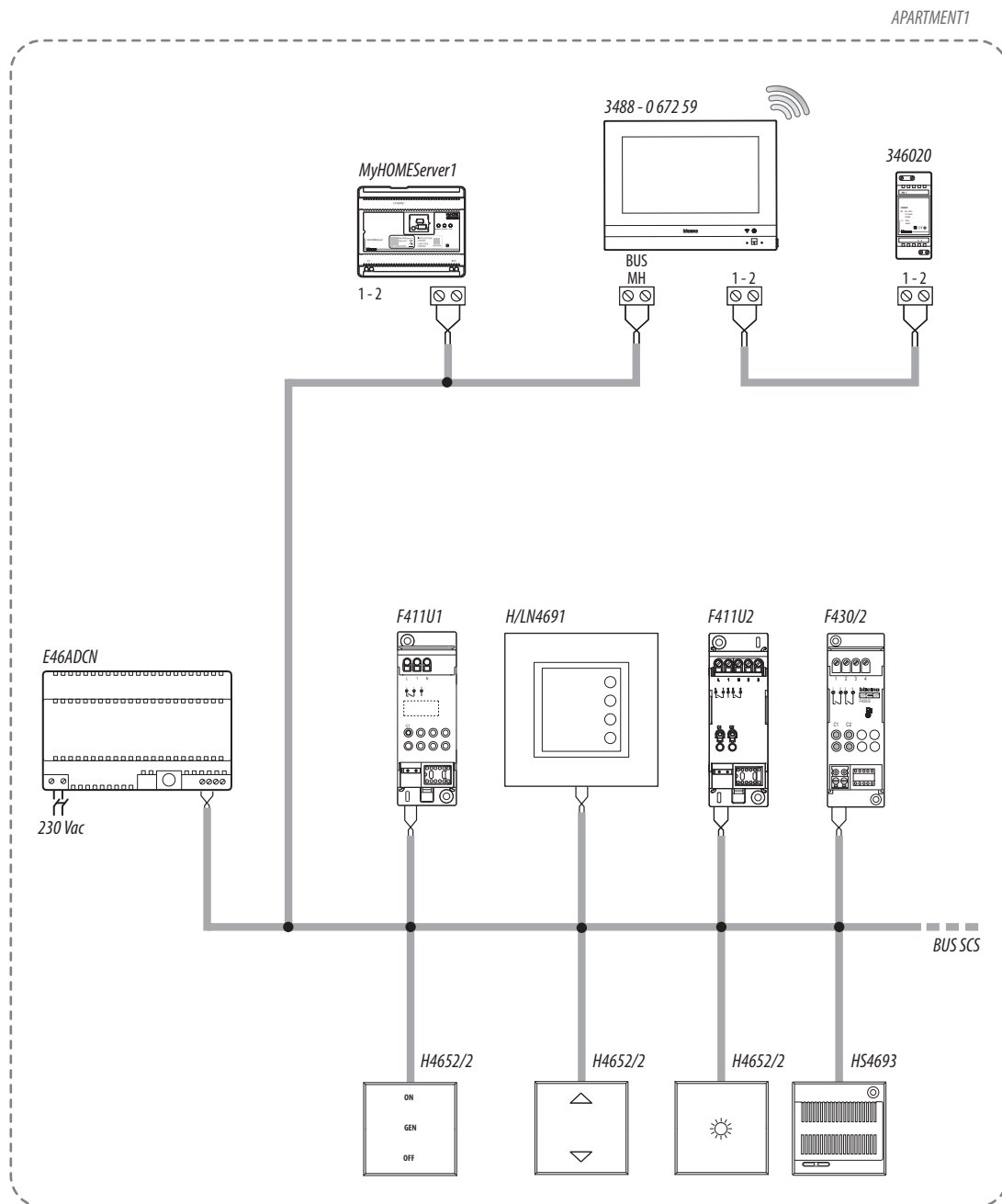
Note:
 • the additional power supply is mandatory.

DIAGRAM 2 - EXAMPLE OF MULTI-FAMILY SYSTEM WITH POWER SUPPLY AND WITH AUTOMATION BUS



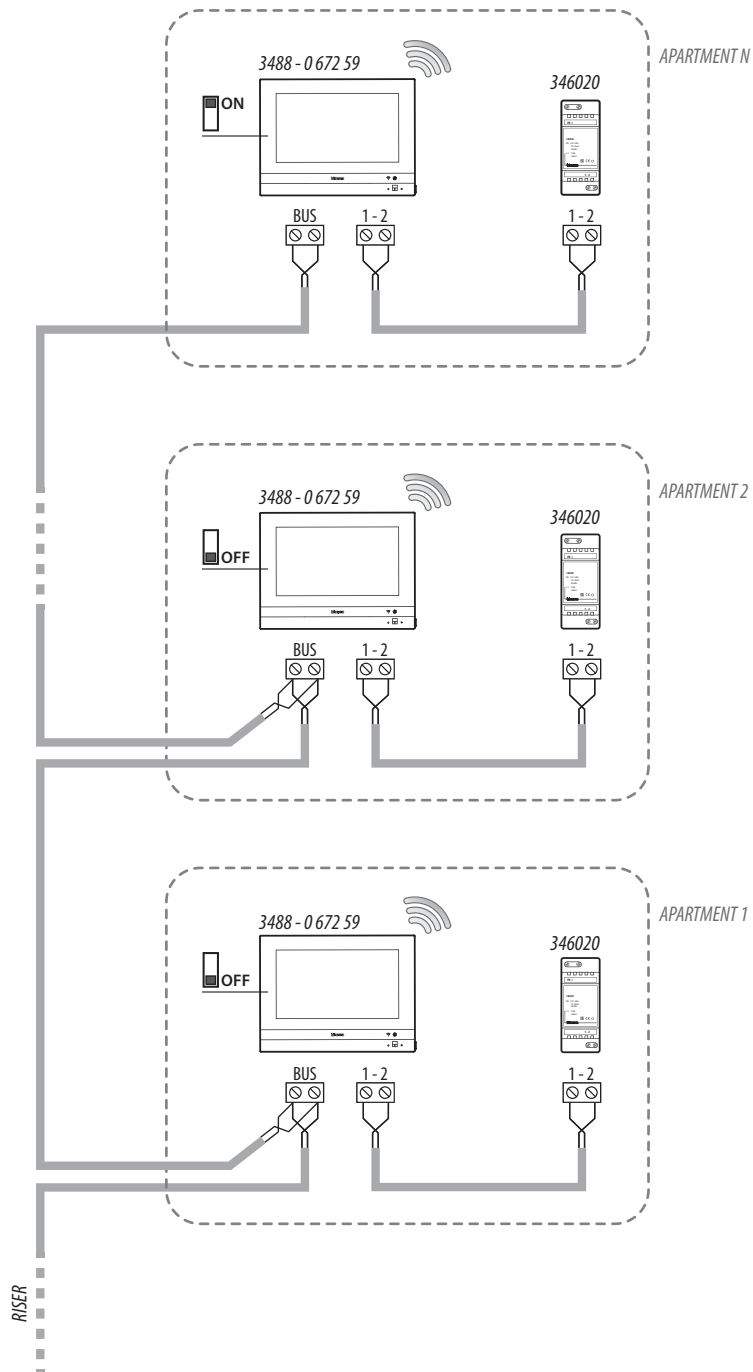
Note:
 • the additional power supply is mandatory.

DIAGRAM 3 - INTEGRATION OF THE AUTOMATION SYSTEM WITH THE TEMPERATURE CONTROL SYSTEM



Note:
 • the additional power supply is mandatory.

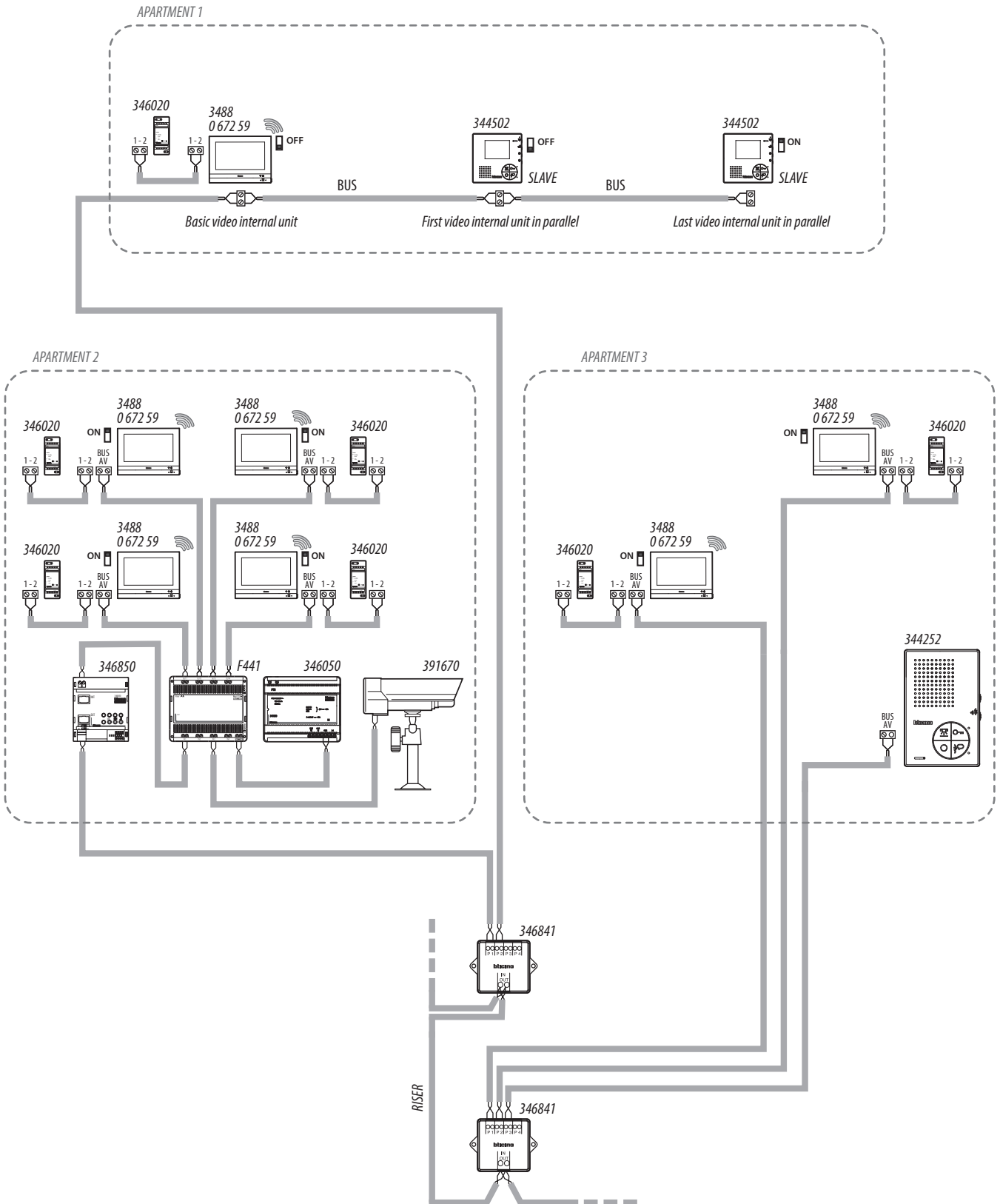
DIAGRAM 4 - EXAMPLE OF MULTI-FAMILY SYSTEM WITH IN-OUT WIRING



Note:
 • it is possible only with addressed call;
 • the additional power supply is mandatory.

DIAGRAM 5 - EXAMPLE OF MULTI-FAMILY SYSTEM WITH ADDITIONAL INTERNAL UNITS AND POWER SUPPLY

The variant is NOT possible with IU without MASTER/SLAVE function



Note:

- in case of several HOMETOUCH connected to the same network, only one can be set as connected internal unit;
- in case of several HOMETOUCH, for each LAN network a maximum of 10 of them may be connected to MyHOMEServer1.