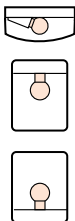
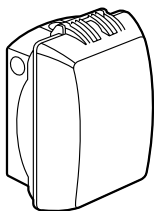


### Presentation

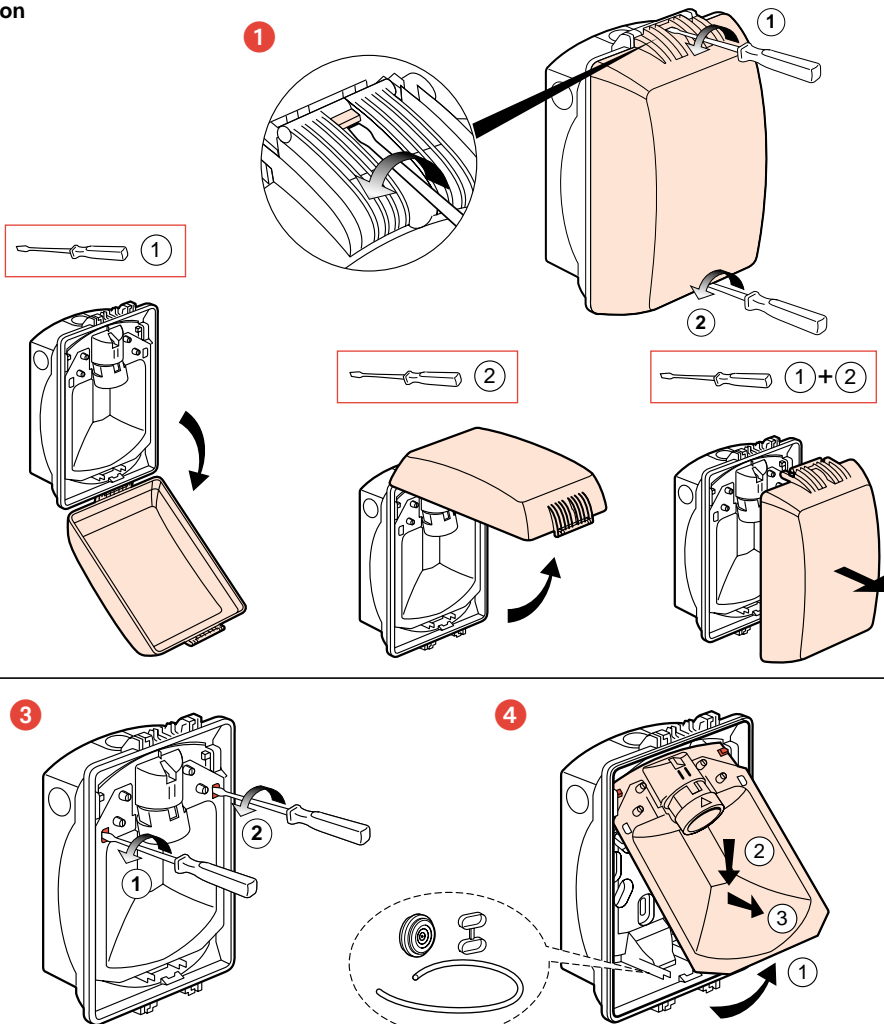


IP 55   
IK 08 (5 joules)   
EN60-598-1



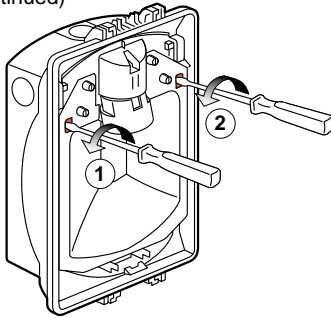
Not supplied

### Installation

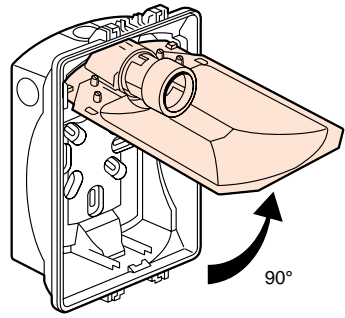


## Installation (continued)

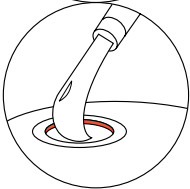
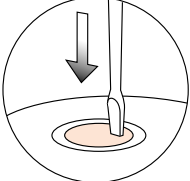
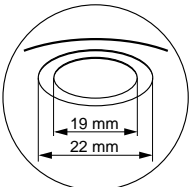
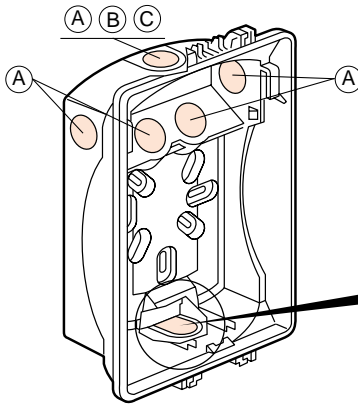
3 bis






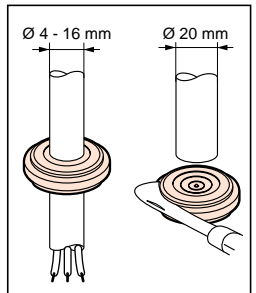
4 bis



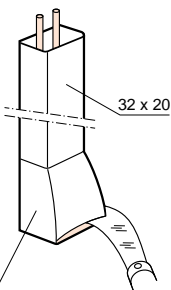
## Incoming conductors



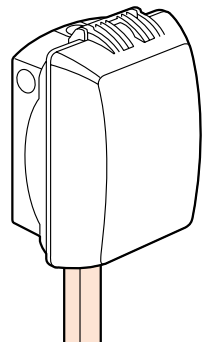
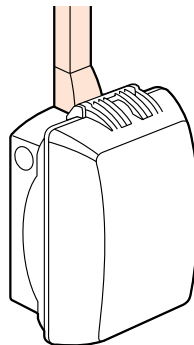
A	B	C
	ISO 20 + 980 86 + 980 32	PG 11 + 980 32
 • or	 • or	



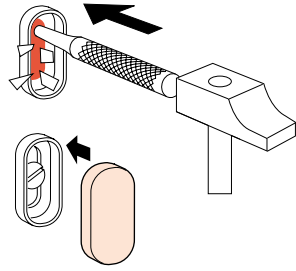
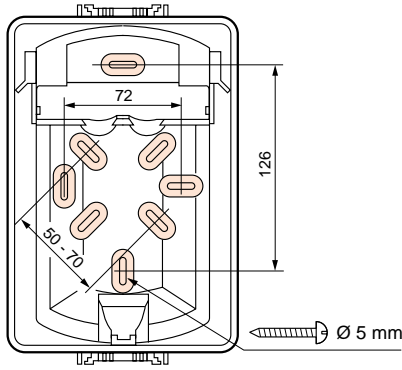
## DLP type moulding



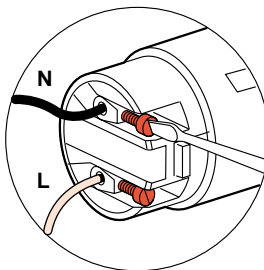
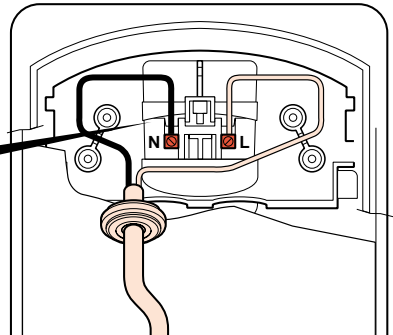
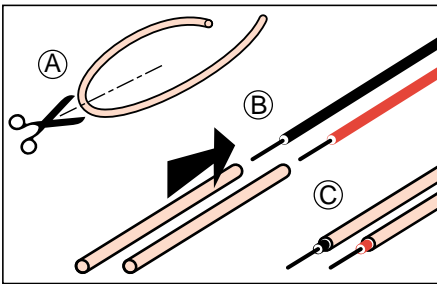
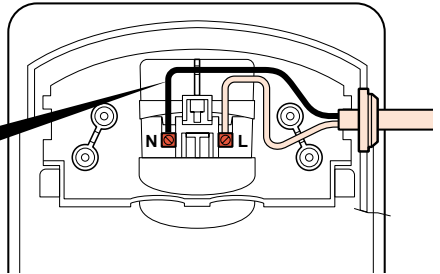
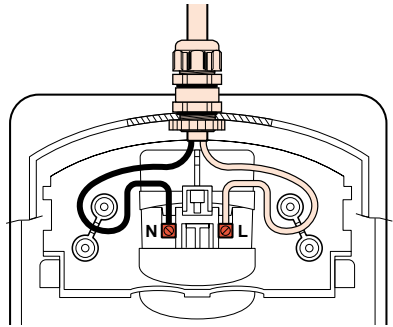
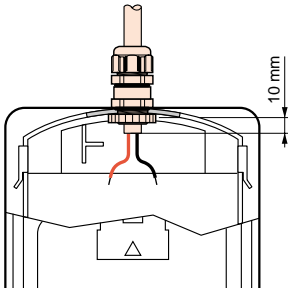
Legrand : 303 40



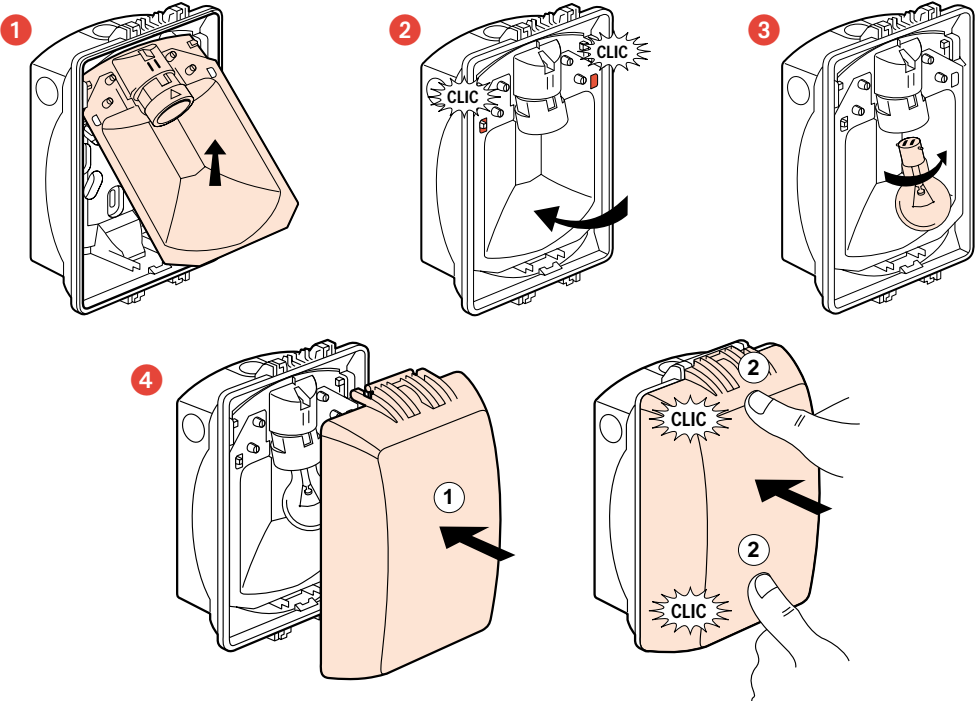
## Extension



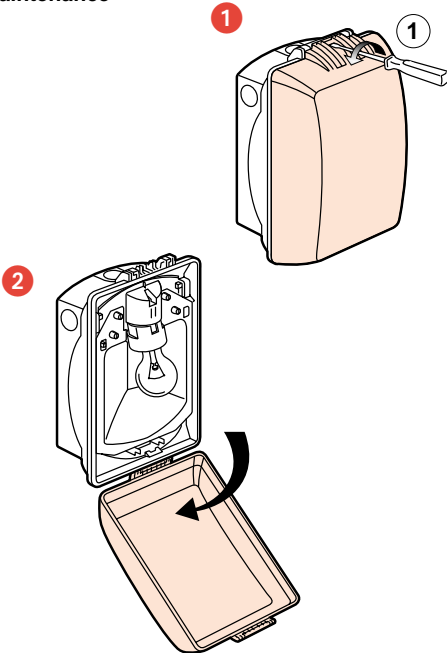
## Connections



## Reassembly



## Maintenance



## Extension

