

Technical Information

Loadstar RCBOs



Overview:

Devices (RCBOs)

- 10kA Fault Rating
- 6A – 50A Current Range
- Type B & C Characteristics
- 30mA Sensitivity

Features:

- 18mm wide modules
- Suitable for use within Loadstar Distribution Boards
- Unswitched Neutral
- Longer flying lead option available (1.2m)
- Compliance with BS EN 61009

Part No.s

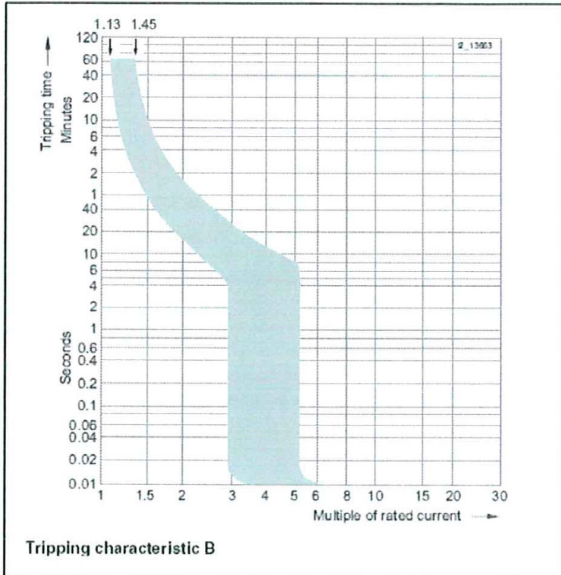
Current Rating	Type B	Type C
6A	6HS06B	6HS06C
10A	6HS10B	6HS10C
16A	6HS16B	6HS16C
20A	6HS20B	6HS20C
32A	6HS32B	6HS32C
40A	6HS40B	6HS40C
50A	6HS50B	6HS50C

Technical Specification:

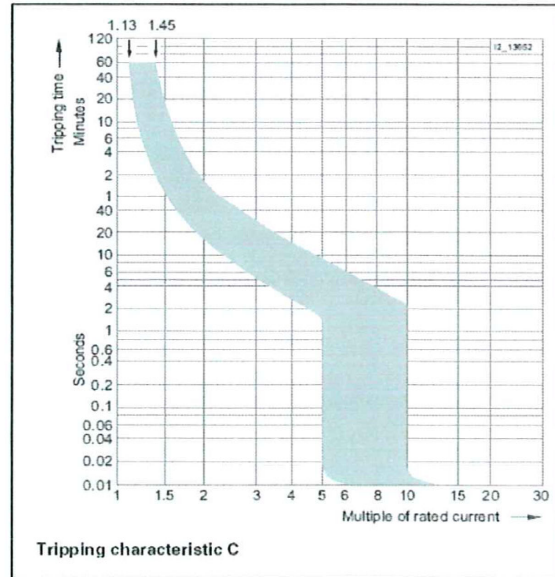
Standards Approved acc. to		IEC/EN 61009-1 & IEC/EN 61009-2-1
Tripping Characteristics		B & C
Rated Voltages U_n	V AC	230 (24)
Rated Frequency f_n	Hz	50...60
Rated Currents I_n	A	6, 10, 16, 20, 32, 40, 50
Rated Residual Currents $I_{\Delta n}$	mA	30
Terminals / Conductor Cross Sections	kA	3
• Outgoing	mm ²	0.75...16
• Terminal Tightening Torque	Nm	2
Mains Connection		Bottom
Mounting Position		Any
Degree of Protection acc. to EN 60529		IP20 with connected conductors
Touch Protection to EN 50274-1		Finger and back-of-hand safe
Service Life Test cycle acc. to IEC/EN 61009	Switch Cycles	>10000
Storage Temperature	°C	-40...+75

Ambient Temperature	°C	-25...+45
Resistance to Climate Acc. to IEC 60068-2-30		28 cycles (55°C: 95% rel. air humidity)
CFC and Silicone Free		Yes

Trip Curves:

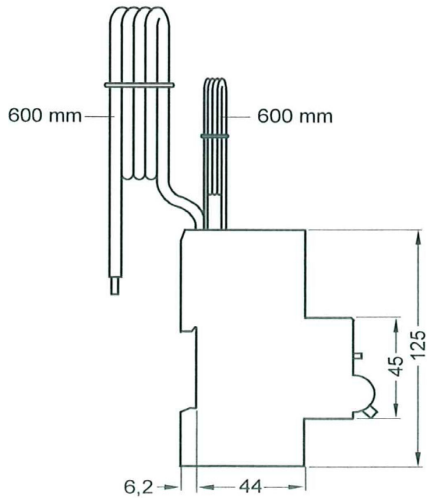


B Curve: For universal use in socket outlet lighting circuits



C Curve: Advantageous in lighting and motor circuits with higher starting currents

Dimensions:



Earth Loop Impedance Values:

Earth fault loop impedances (Z_s ohms) to give compliance with BS7671 regulations 411.3.2.2 & 411.3.2.3 at 230V	
	Maximum earth fault loop impedance (Ohms)
Device Rating	RCBO
6A	1666
10A	1666
16A	1666
20A	1666
32A	1666
40A	1666
50A	1666

Further Information:

Crabtree Sales: 01543 455010
 Crabtree Technical: 01543 438310
 Website: www.electrium.co.uk